

# John Deere 245GLC iT4 Excavator Diagnostic, Operation and Test Service Manual (TM12660)

## 245GLC Excavator Diagnostic

### OPERATION AND TEST MANUAL

iT4 models 245GLC (PIN: 1FF245G\_E600001-)

TM12660 01NOV15 (ENGLISH)

For complete service information also see:

245GLC Excavator (PIN: 1FF245G_ _E600001- )	TM12663
JDLink (MTG) Technical Manual	TM114519
Super Caddy Oil Cleanup Procedure	CTM310
JDLink/ZXLink Machine Monitoring System	CTM10006



John Deere Construction and Forestry

**Covers:** 245GLC,1FF245G\_E600001-)

**Type:** Service Manual

**Language:** English

**Pages:** 1101

**Format:** PDF

**Features:** Bookmarked, searchable, printable

**Compatibility:** Windows/Mac/Tablet/Mobile

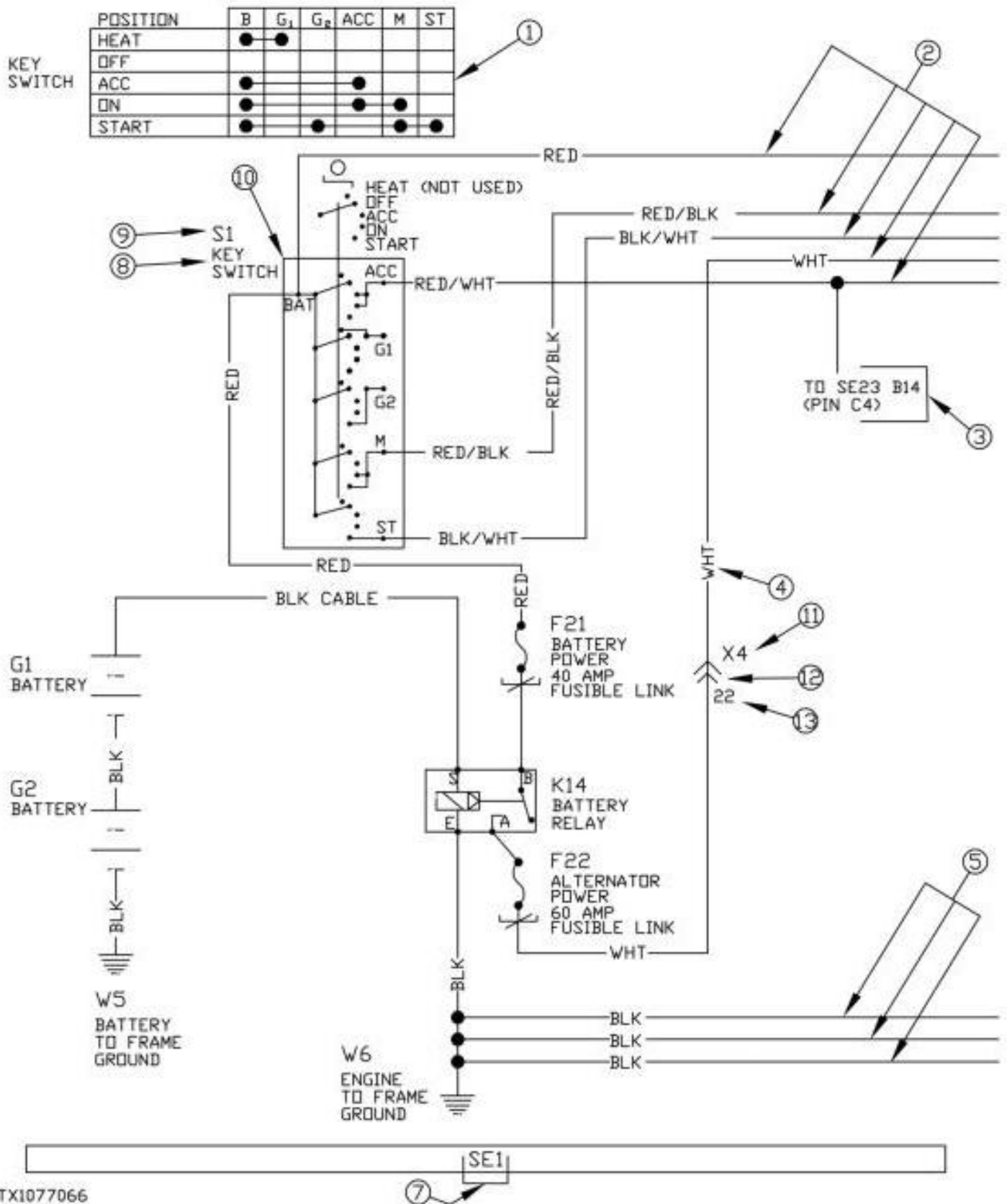
This service manual contains important information for the maintenance, troubleshooting and servicing of the **John Deere 245GLC IT4 Excavator Diagnostic, Operation and Test Service Manual (TM12660)**

In this manual you will find detailed specifications, illustrations, schematics, diagrams and step-by-step procedures to properly service and diagnose the machine to the manufacturer's standards.

**Contents:**

- General Information
- Specifications
- Serial Number Location
- Engine Specifications
- Engine Diagnostics
- Engine Tests and Adjustments
- Engine Repair
- Power Train
- Transmission
- Axles
- Differential
- PTO
- Hydraulic System
- Electrical System
- Electrical Tests and Diagnostics
- Wiring Diagram / Schematic
- Ignition and Charging
- Steering
- Brakes
- Wheels
- Operator's Platform
- Body Panels
- Disassembly and Assembly
- Diagnostics, Tests and Adjustments
- Troubleshooting
- and much more...

Please note this manual is in **downloadable PDF format only**. If you have any questions about this product or would like to request sample pages, please contact us and reference the product name or SKU.

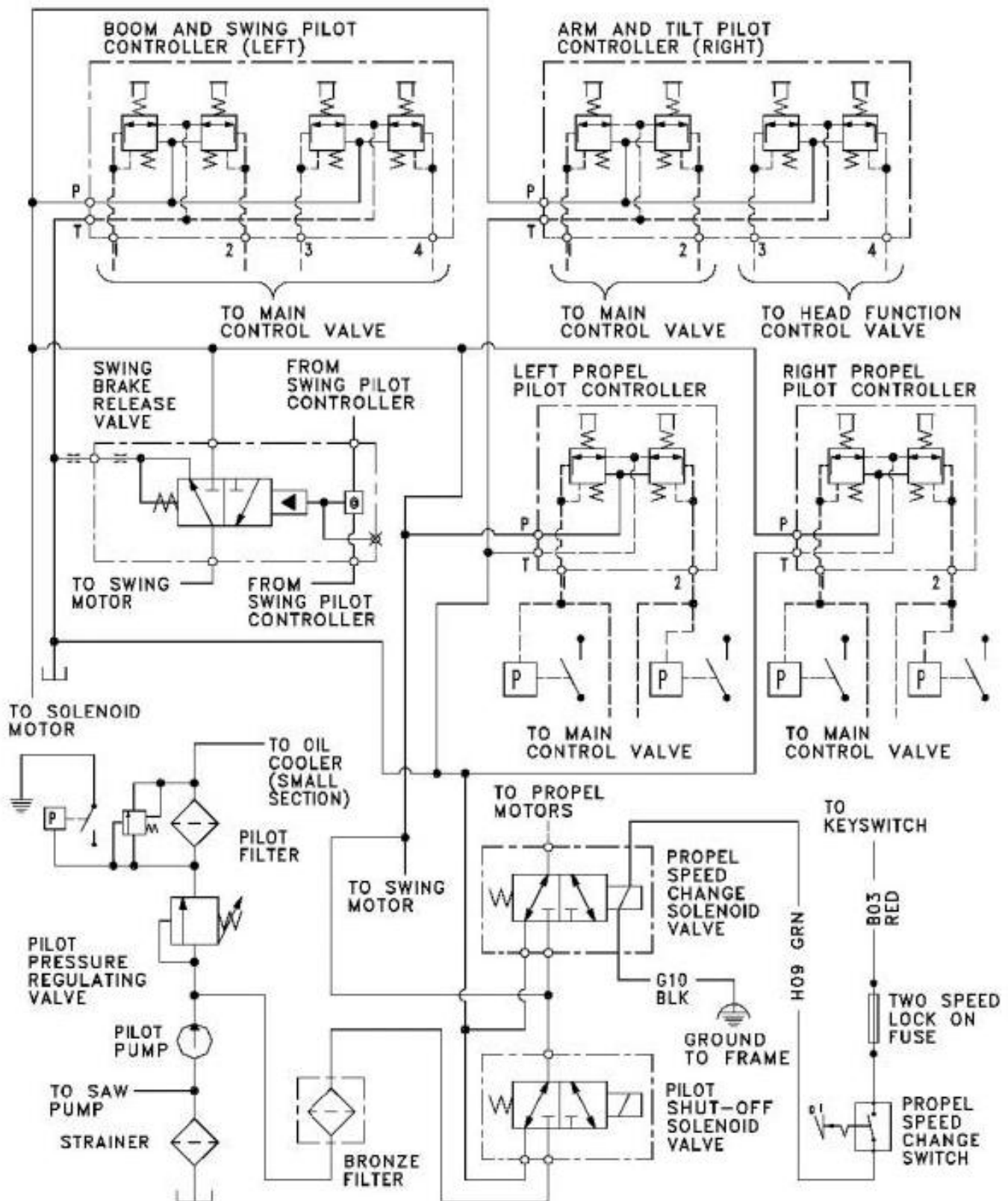


**System Functional Schematic Example**

**LEGEND:**

- 1 Continuity Chart
- 2 Power Wires
- 3 Routing Location Information
- 4 Wire Identification
- 5 Ground Wires

## Propel Speed Change Circuit Schematic



T102918

### PROPEL SPEED CHANGE CIRCUIT

#### Propel Speed Change Circuit

### Diagnose Propel Speed Change Circuit Malfunctions

The purpose of these procedures is to determine whether a malfunction is in the hydraulic or electrical area. You will be instructed to go to the appropriate group in the book for troubleshooting procedure.



Thank you very much  
for your reading.  
Please click here  
to get more information.