

John Deere 310K EP Backhoe Loader (SN: G219607-) Diagnostic, Operation&Test Service Manual (TM12441)

310K EP Backhoe Loader
Diagnostic



OPERATION AND TEST MANUAL

Backhoe Loaders (IT4/S3A) models 310K EP (PIN: 1T0310EKG219607-)**

TM12441 27 DEC 15 (ENGLISH)

For complete service information also see:

310K EP Backhoe Loader (PIN: 1T0310EK_ G219607-)	TM12442
JDLINK (MTG) Technical Manual	TM114519
PowerTech E 4.5 and 6.8L Diesel Engines Level 16 Electronic Fuel System With Denso HPCR	CTM502
Super Caddy Oil Cleanup Procedure	CTM310
120 Series Hydraulic Cylinders	CTM120519
120 Series Hydraulic Cylinders	
125 Series Hydraulic Cylinders	
PowerTech 4.5L & 6.8L Diesel Engines Tier 3/Stage IIIA, Tier 3/Stage IIIB	
100 Series Hydraulic Cylinders	CTM103519
COOLANT HEATER SERVICE MANUAL	CTM10090X19

PDF  **DOWNLOAD** 

John Deere Construction and Forestry
Printed by Belgreen



TM12441

Covers: 310K,1T0310EK**G219607-)

Type: Service Manual

Language: English

Pages: 757

Format: PDF

Features: Bookmarked, searchable, printable

Compatibility: Windows/Mac/Tablet/Mobile

This service manual contains important information for the maintenance, troubleshooting and servicing of the **John Deere 310K EP Backhoe Loader (SN: G219607-) Diagnostic, Operation&Test Service Manual (TM12441)**

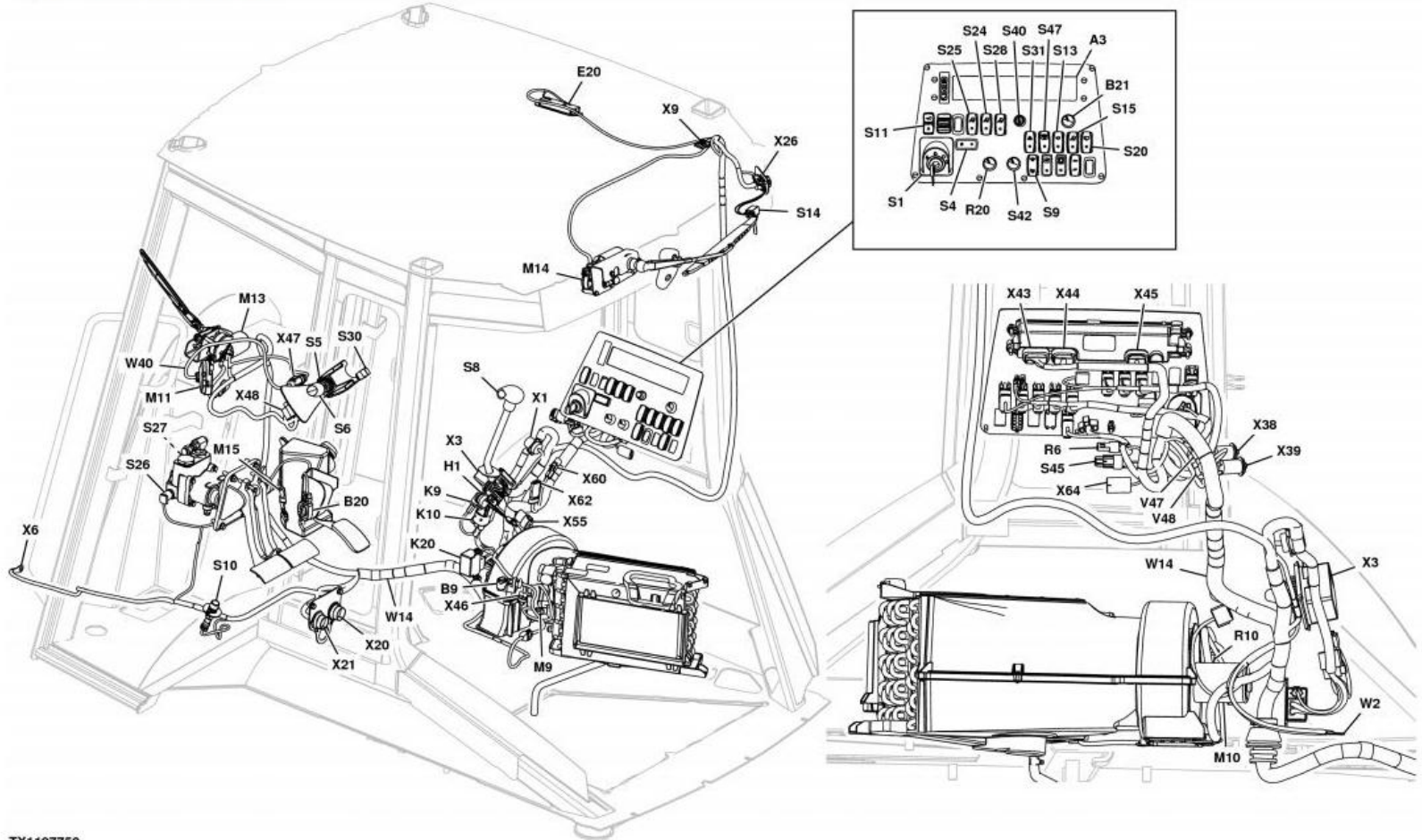
In this manual you will find detailed specifications, illustrations, schematics, diagrams and step-by-step procedures to properly service and diagnose the machine to the manufacturer's standards.

Contents:

- General Information
- Specifications
- Serial Number Location
- Engine Specifications
- Engine Diagnostics
- Engine Tests and Adjustments
- Engine Repair
- Power Train
- Transmission
- Axles
- Differential
- PTO
- Hydraulic System
- Electrical System
- Electrical Tests and Diagnostics
- Wiring Diagram / Schematic
- Ignition and Charging
- Steering
- Brakes
- Wheels
- Operator's Platform
- Body Panels
- Disassembly and Assembly
- Diagnostics, Tests and Adjustments
- Troubleshooting
- and much more...

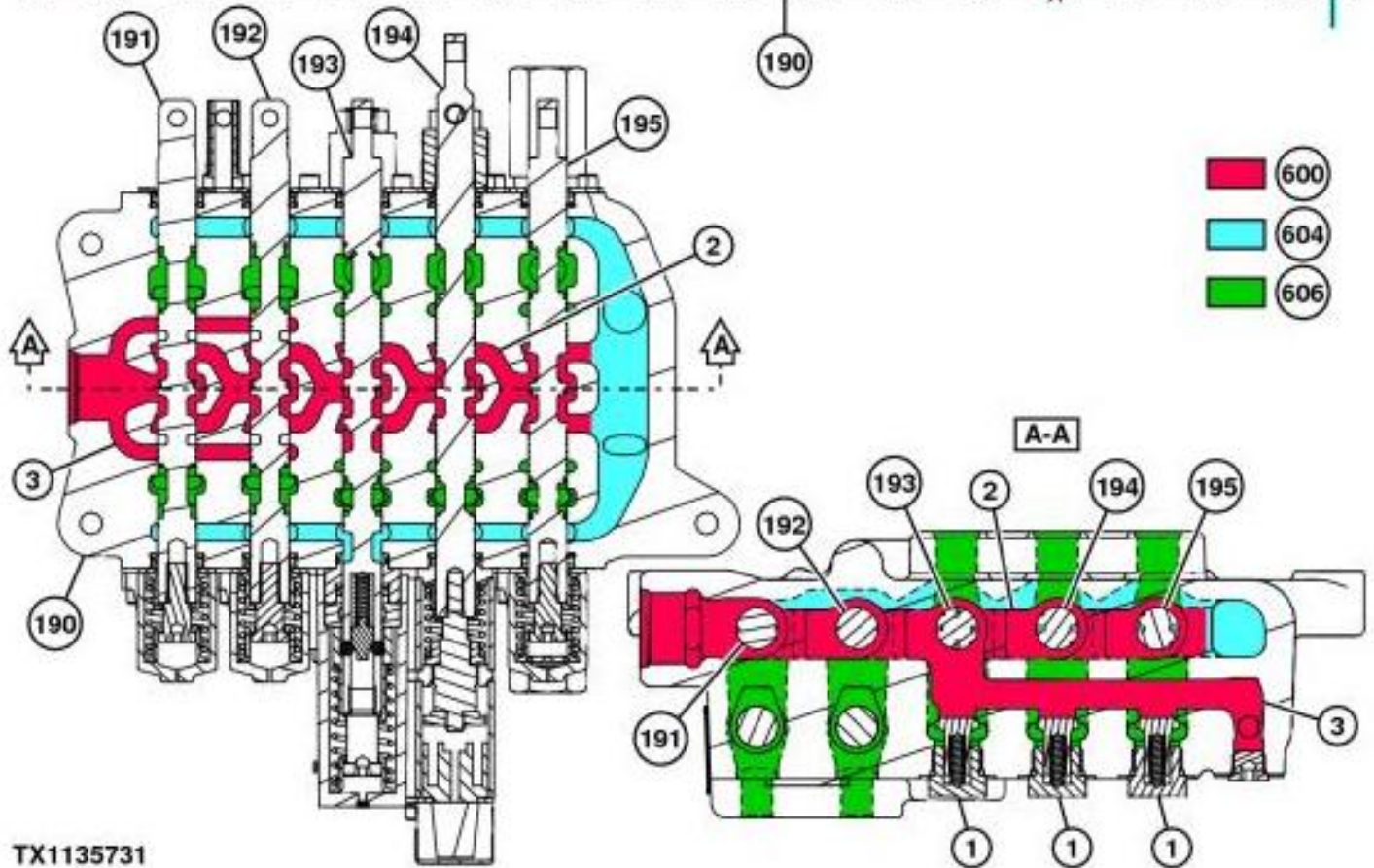
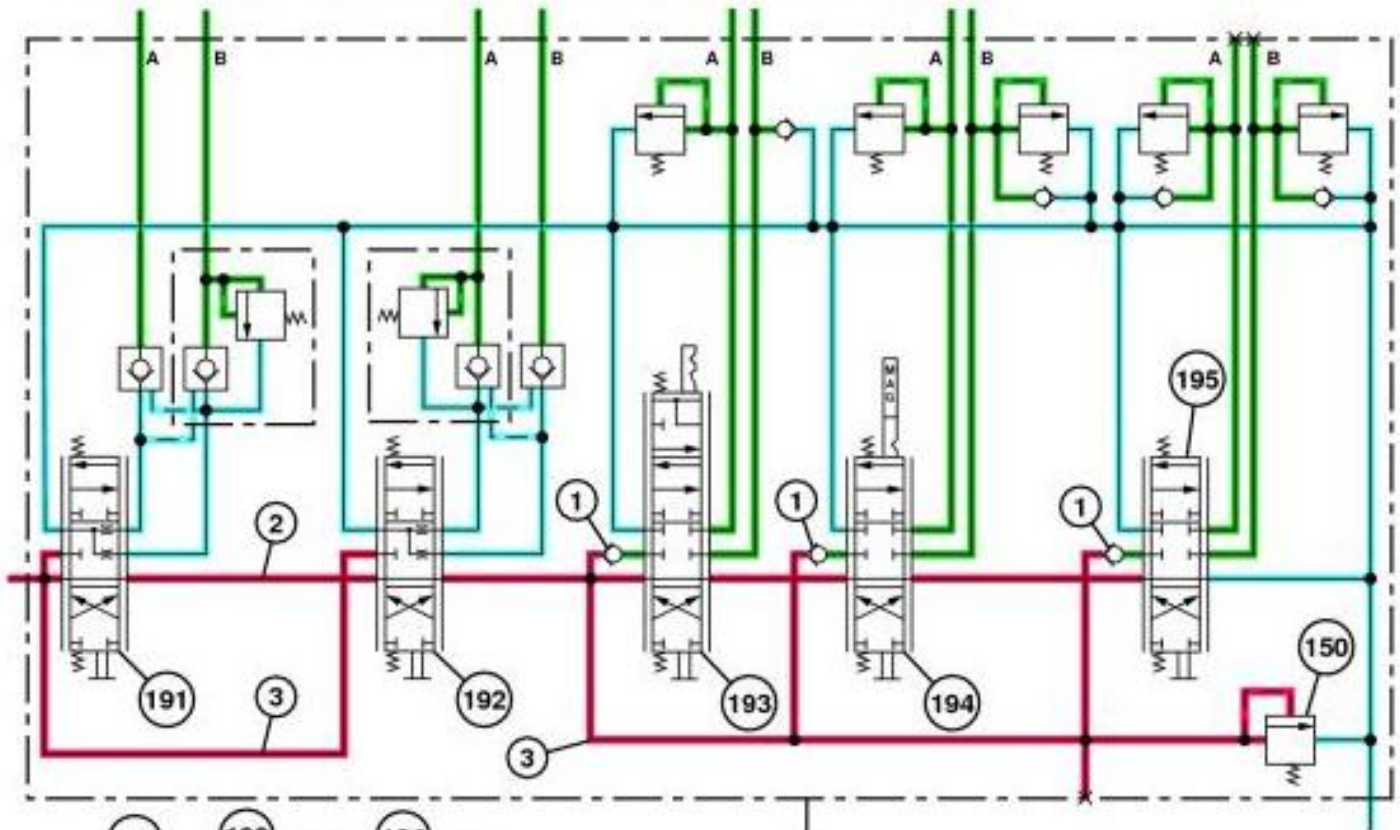
Please note this manual is in **downloadable PDF format only**. If you have any questions about this product or would like to request sample pages, please contact us and reference the product name or SKU.

Cab Harness (W14) Component Location



TX1197750
Cab Harness (W14) Component Location

Loader and Stabilizer Control Valve Operation



TX1135731

5-Function Loader and Stabilizer Control Valve (neutral)

LEGEND:

- 1 Lift Check Valve (3 used)
- 2 Neutral Flow Passage
- 3 Power Passage (2 used)
- 4 Supply Inlet Port



Thank you very much
for your reading.
Please click here
to get more information.