

John Deere 310K EP (iT4/S3A) Backhoe Loader (SN: G219607-) Service Repair Technical Manual (TM12442)

310K EP Backhoe Loader
Repair



REPAIR TECHNICAL MANUAL

Backhoe Loaders (iT4/S3A) models 310K EP (PIN: 1T0310EKG219607-)**



TM12442 27 DEC 15 (ENGLISH)

For complete service information also see:

| | |
|---|-------------|
| 310K EP Backhoe Loader Diagnostic | TM12441 |
| JDLINK (MTG) Technical Manual | TM114519 |
| PowerTech E 4.5 and 6.8L Diesel Engines Level 16 Electronic Fuel System With Denso HPCR | CTM502 |
| Super Caddy Oil Cleanup Procedure | CTM310 |
| 120 Series Hydraulic Cylinder | CTM120519 |
| 120 Series Hydraulic Cylinder | |
| 125 Series Hydraulic Cylinder | |
| PowerTech 4.5L & 6.8L Diesel Engines Tier 3/Stage IIIA, Tier 3/Stage IIIB | |
| 100 Series Hydraulic Cylinder | CTM103519 |
| COOLANT HEATER SERVICE MANUAL | CTM10090X19 |

PDF  **DOWNLOAD** 

John Deere Construction and Forestry
Printed by Belgroen



Covers: 310K,1T0310EK**G219607-)

Type: Service Manual

Language: English

Pages: 712

Format: PDF

Features: Bookmarked, searchable, printable

Compatibility: Windows/Mac/Tablet/Mobile

This service manual contains important information for the maintenance, troubleshooting and servicing of the **John Deere 310K EP (IT4/S3A) Backhoe Loader (SN: G219607-) Service Repair Technical Manual (TM12442)**

In this manual you will find detailed specifications, illustrations, schematics, diagrams and step-by-step procedures to properly service and diagnose the machine to the manufacturer's standards.

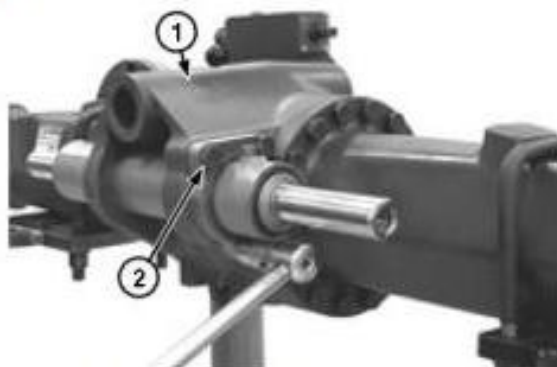
Contents:

- General Information
- Specifications
- Serial Number Location
- Engine Specifications
- Engine Diagnostics
- Engine Tests and Adjustments
- Engine Repair
- Power Train
- Transmission
- Axles
- Differential
- PTO
- Hydraulic System
- Electrical System
- Electrical Tests and Diagnostics
- Wiring Diagram / Schematic
- Ignition and Charging
- Steering
- Brakes
- Wheels
- Operator's Platform
- Body Panels
- Disassembly and Assembly
- Diagnostics, Tests and Adjustments
- Troubleshooting
- and much more...

Please note this manual is in **downloadable PDF format only**. If you have any questions about this product or would like to request sample pages, please contact us and reference the product name or SKU.

Steering Cylinder Remove

[1] -



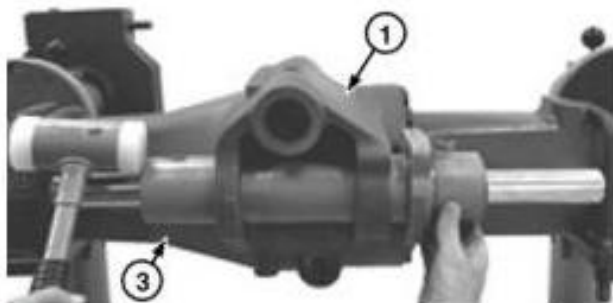
LEGEND:

- 1 Axle Housing
- 2 Steering Cylinder Cap Screw (3 used)

Steering Cylinder Cap Screws

Remove steering cylinder cap screws (2) from axle housing (1).

[2] -



LEGEND:

- 1 Axle Housing
- 3 Steering Cylinder

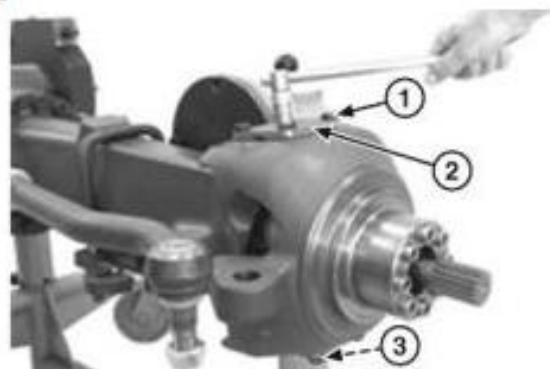
Steering Cylinder

Remove steering cylinder (3) from axle housing.

[3] - For disassembly of steering cylinder, [see Mechanical Front Wheel Drive \(MFWD\) Axle Steering Cylinder Disassemble and Assemble](#). (Group 0960.)

Knuckle Housing Remove

[1] -



LEGEND:

- 1 Cap Screw (8 used)
- 2 Upper King Pin
- 3 Lower King Pin

King Pin Cap Screws

Drain oil from axle housing, [see Change MFWD Front Axle Housing Oil—If Equipped](#). (Operator's Manual.)

[2] - Remove cap screws (1) from upper king pin (2) and lower king pin (3).

[3] - Remove upper and lower king pins.

[4] -

Group 0510 - Cooling Systems

Fan Remove and Install

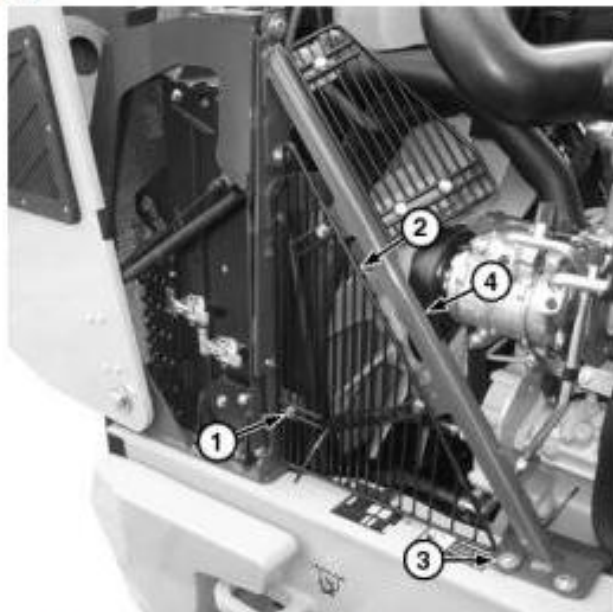
[1] - Raise loader boom and install boom service lock. [See Loader Boom Service Lock](#). (Operator's Manual.)

[2] - Park and prepare machine for service. [See Park and Prepare for Service Safely](#). (Group 0001.)

[3] - Open hood to full open position.

[4] - Remove serpentine belt. [See Serpentine Belt Remove and Install](#). (Group 0510.)

[5] -



LEGEND:

- 1 Cap Screw (3 used)
- 2 Fan Guard
- 3 Cap Screw (4 used)
- 4 Grille Housing Support

Fan Guard and Grille Housing Support

Remove cap screws (1) and fan guard (2).

[6] - Remove cap screws (3) and remove grille housing support (4).

[7] -



LEGEND:

- 5 Hose Clamp
- 6 Charge Air Cooler Tube

Charge Air Cooler Tube (engine 4045HT054)

Engines 4045HT054, 4045HT072, 4045HT086, 4045HT087 Only:

Loosen hose clamp (5) and disconnect charge air cooler tube (6).



Thank you very much
for your reading.
Please click here
to get more information.