

John Deere 310SG Backhoe, 315SG Side Shift Loaders Diagnostic, Operation&Test Service Manual TM1883

310SG Backhoe and 315SG
Side Shift Loaders
Diagnostic



OPERATION AND TEST MANUAL

Backhoe Loaders models 310SG; Side Shift models 315SG

TM1883 22 DEC 15 (ENGLISH)

For complete service information also see:

310SG and 315SG Backhoe Loader Repair	TM1884
Alternators and Starting Motors	CTM77
Front Wheel Drive Axles, AS and MS-Series	CTM4687
Series 300 - 3179,4239,6359,4276,6414 Diesel Engines	CTM4
PowerTech 4.5L & 6.8L Diesel Engines with Level 12 Electronic Fuel System With Stanadyne	CTM331
Super Caddy Oil	
PowerTech 4.5L and 6.8L Diesel Engines	
120 Series Hydraulic Cylinders	CTM114319
125 Series Hydraulic Cylinders	CTM109319
PowerTech 4.5L & 6.8L Diesel Engines Tier 1/Stage I, Tier 2/Stage II, Tier 3/Stage IIIA, Tier 3/Stage IIA Tier 3/Stage III, (Base Engine)	CTM104



DOWNLOAD



John Deere Construction and Forestry
Printed by Belgroen



Covers: 310SG,315SG

Type: Service Manual

Language: English

Pages: 1009

Format: PDF

Features: Bookmarked, searchable, printable

Compatibility: Windows/Mac/Tablet/Mobile

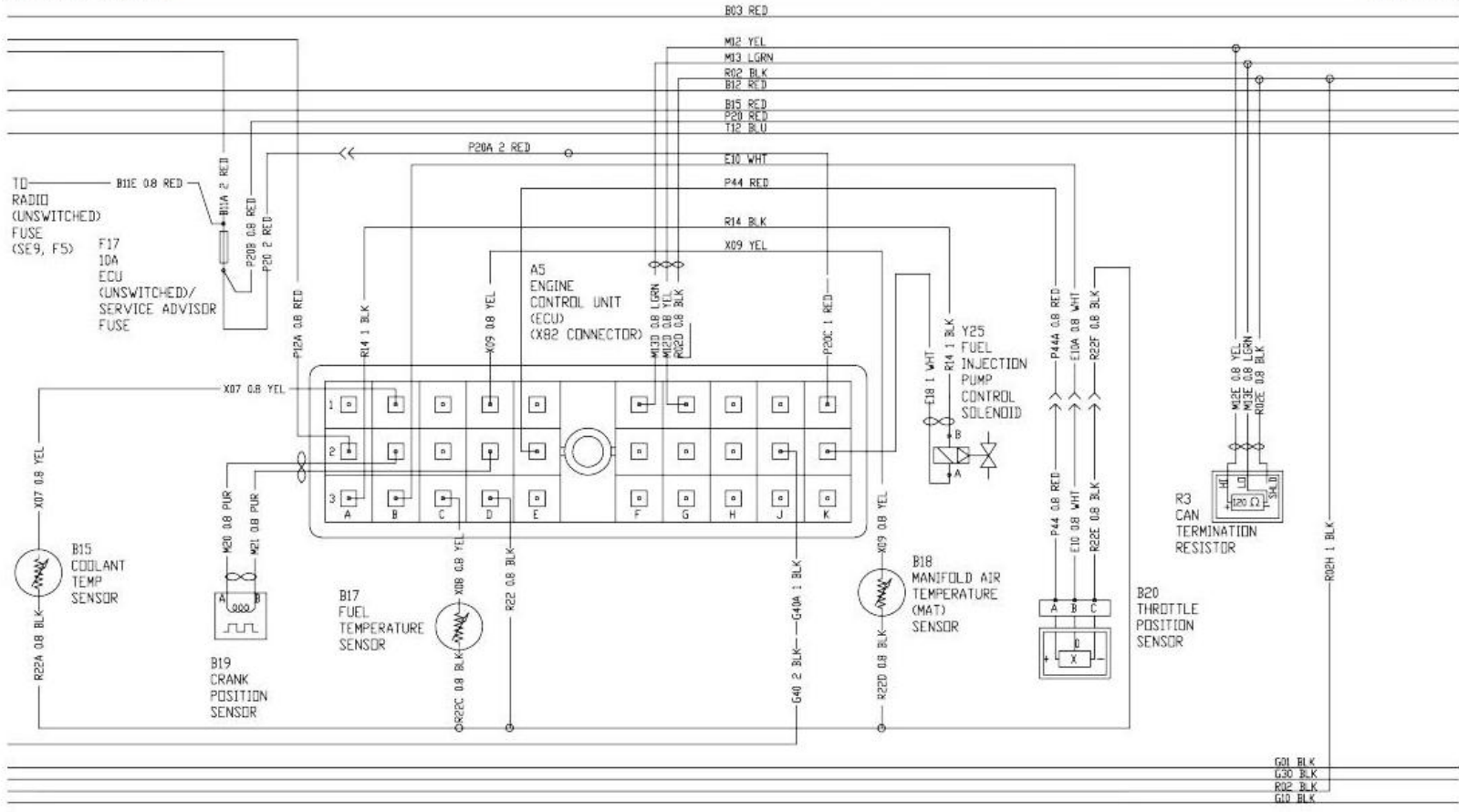
This service manual contains important information for the maintenance, troubleshooting and servicing of the **John Deere 310SG Backhoe, 315SG Side Shift Loaders Diagnostic, Operation&Test Service Manual TM1883**

In this manual you will find detailed specifications, illustrations, schematics, diagrams and step-by-step procedures to properly service and diagnose the machine to the manufacturer's standards.

Contents:

- General Information
- Specifications
- Serial Number Location
- Engine Specifications
- Engine Diagnostics
- Engine Tests and Adjustments
- Engine Repair
- Power Train
- Transmission
- Axles
- Differential
- PTO
- Hydraulic System
- Electrical System
- Electrical Tests and Diagnostics
- Wiring Diagram / Schematic
- Ignition and Charging
- Steering
- Brakes
- Wheels
- Operator's Platform
- Body Panels
- Disassembly and Assembly
- Diagnostics, Tests and Adjustments
- Troubleshooting
- and much more...

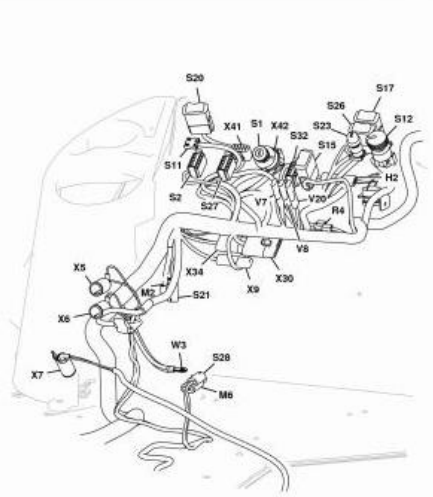
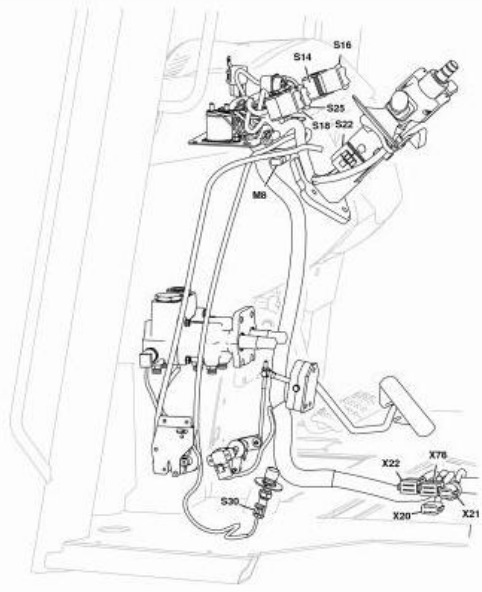
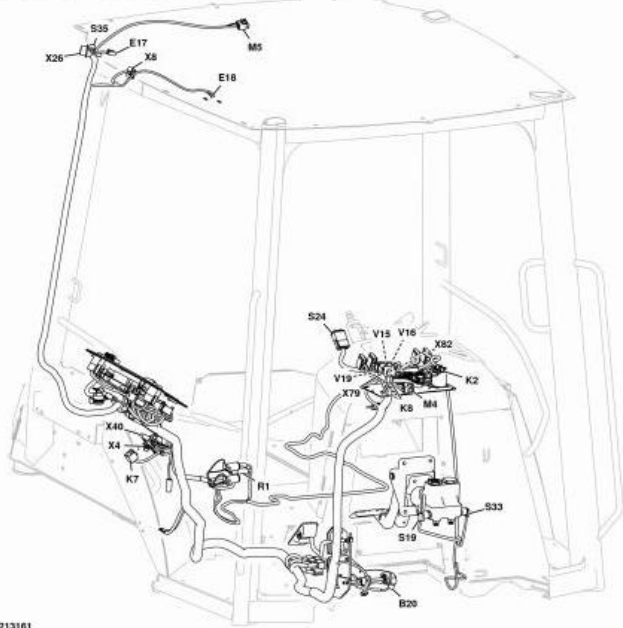
Please note this manual is in **downloadable PDF format only**. If you have any questions about this product or would like to request sample pages, please contact us and reference the product name or SKU.



SE20 ENGINE CONTROL UNIT CIRCUIT

T215164

System Functional Schematic—3105Q/3155Q (S.N. 913479—951252) (SE20)





Thank you very much
for your reading.
Please click here
to get more information.