

John Deere 315SK (T3/S3A) Backhoe Loader (SN: D229820-) Diagnostic and Test Service Manual (TM12471)

315SK Backhoe Loader
Diagnostic

OPERATION AND TEST MANUAL



Backhoe Loaders (T3/S3A) models 315SK (PIN: 1T0315SKD229820-;
1T0315SK**C219607-)**

TM12471 27 DEC 15 (ENGLISH)

For complete service information also see:

315SK Backhoe Loader (PIN: 1T0315SK_D229820-) (PIN: 1T0315SK_C219607-)	TM12472
JDLINK (MTG) Technical Manual	TM114519
PowerTech E 4.5 and 6.8L Diesel Engines Level 16 Electronic Fuel System With Dense MFCP	CTM502
PowerTech 4.5L Diesel Engine System With Standard Fuel System	
Super Caddy Oil Cleanup	
120 Series Hydraulic Cylinders	CTM114319
120 Series Hydraulic Cylinders	CTM109319
125 Series Hydraulic Cylinders	CTM104
PowerTech 4.5L & 6.8L Diesel Engines Tier 1/Stage I, Tier 2/Stage II, Tier 3/Stage IIIA, Tier 3/Stage IIA Tier 3/Stage III, (Base Engine)	CTM103519
100 Series Hydraulic Cylinders	CTM10090X19
COOLANT HEATER SERVICE MANUAL	

John Deere Construction and Forestry
Printed by Belgreen



Covers: 315SK,1T0315SK**D229820-;,1T0315SK**C219607-)

Type: Service Manual

Language: English

Pages: 1192

Format: PDF

Features: Bookmarked, searchable, printable

Compatibility: Windows/Mac/Tablet/Mobile

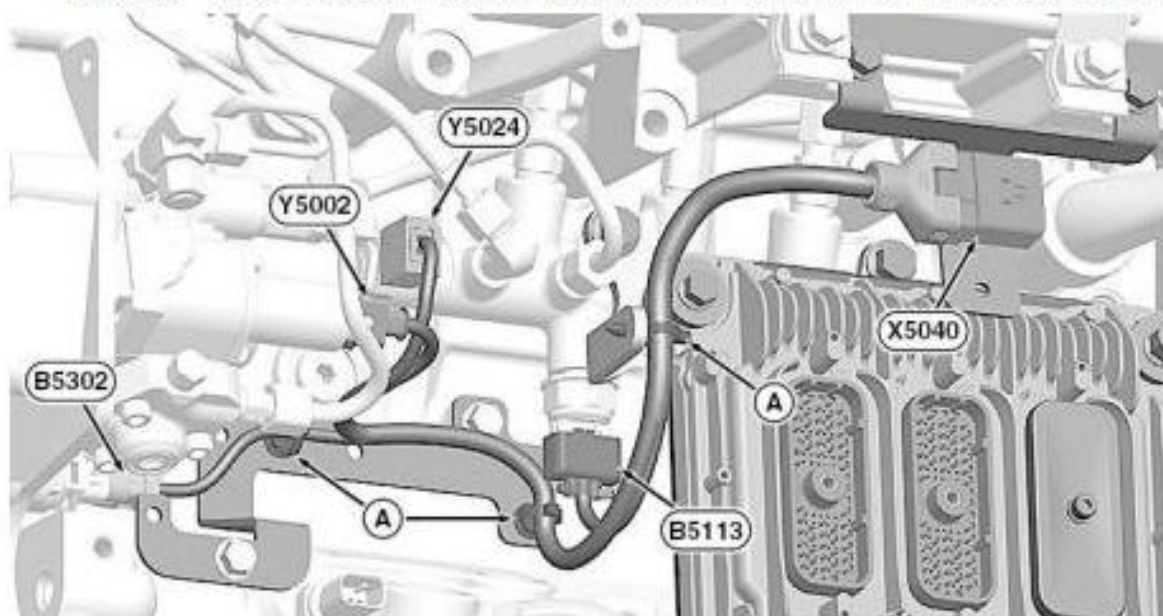
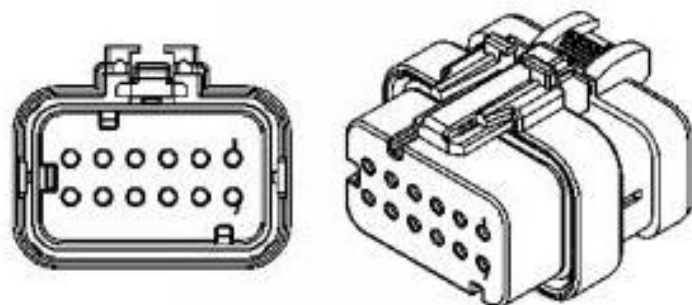
This service manual contains important information for the maintenance, troubleshooting and servicing of the **John Deere 315SK (T3/S3A) Backhoe Loader (SN: D229820-) Diagnostic and Test Service Manual (TM12471)**

In this manual you will find detailed specifications, illustrations, schematics, diagrams and step-by-step procedures to properly service and diagnose the machine to the manufacturer's standards.

Contents:

- General Information
- Specifications
- Serial Number Location
- Engine Specifications
- Engine Diagnostics
- Engine Tests and Adjustments
- Engine Repair
- Power Train
- Transmission
- Axles
- Differential
- PTO
- Hydraulic System
- Electrical System
- Electrical Tests and Diagnostics
- Wiring Diagram / Schematic
- Ignition and Charging
- Steering
- Brakes
- Wheels
- Operator's Platform
- Body Panels
- Disassembly and Assembly
- Diagnostics, Tests and Adjustments
- Troubleshooting
- and much more...

Please note this manual is in **downloadable PDF format only**. If you have any questions about this product or would like to request sample pages, please contact us and reference the product name or SKU.

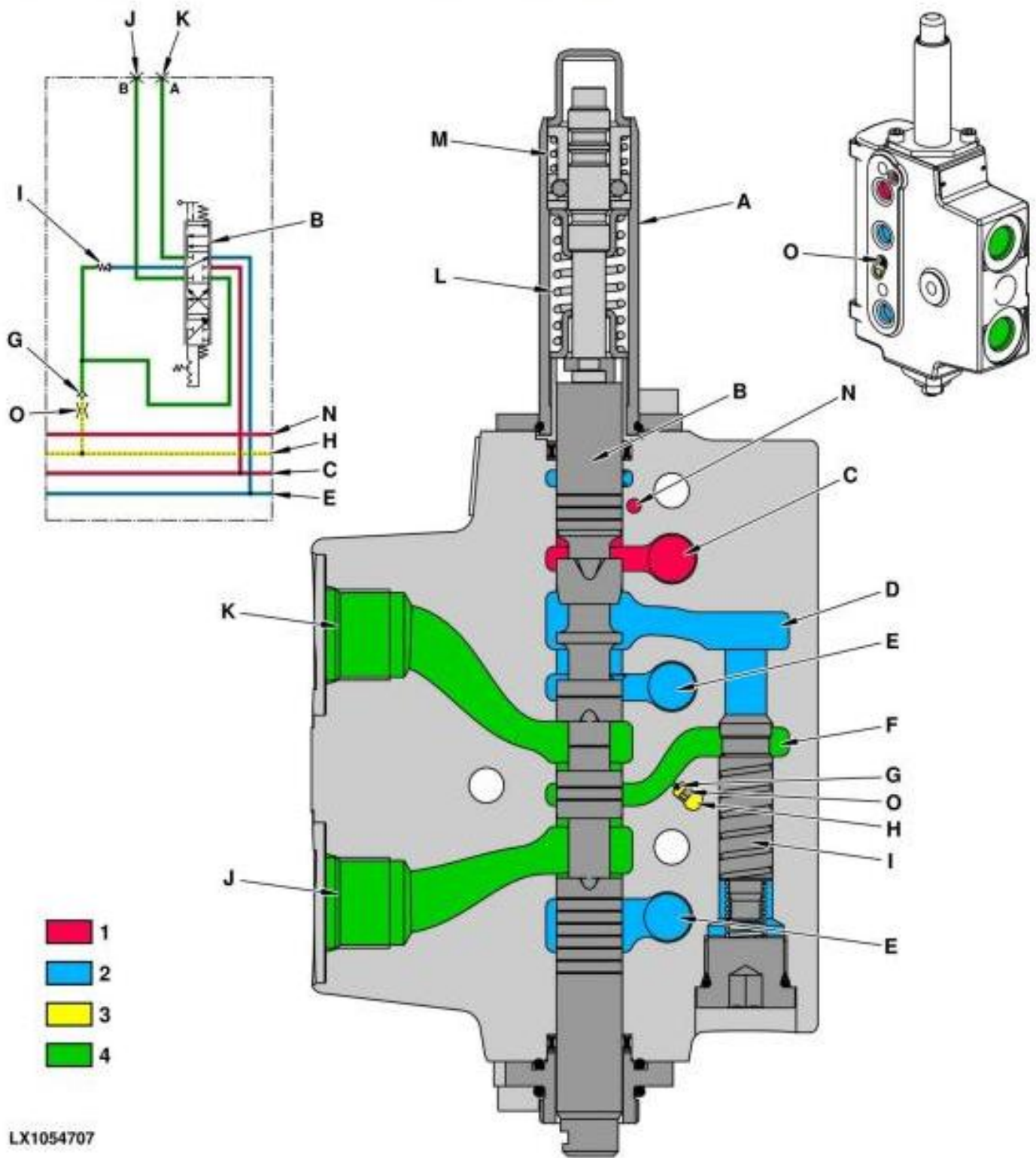
X5040 - Connection Point between Harnesses W501 and W561**X5040****X5040F - Connection Point on Harness W501**

LX201092

X5040F**Connector information**

Connector information	
Number of pins:	12
Spare part number:	57M9800
Color:	Red
Manufacturer / repair information:	For repair information, see Section 40, Group 05 of the relevant Repair Technical Manual.
Wiring harness:	W501, see Summary of Harnesses , Summary of References in Section 249, Group 40W

G17 - Selective Control Valve (M-SCV 100), Theory of Operation



LX1054707

M-SCV 100 - Neutral position

LEGEND:

- A Detent housing
- B Spool
- C System pressure passage (pressure oil via priority 3 valve)
- D Connecting passage
- E Return passage
- F Connecting passage
- G Ball (check valve)



Thank you very much
for your reading.
Please click here
to get more information.