

John Deere 318D, 320D Skid Steer Loader with EH Controls Diagnostic & Test Service Manual (TM11406)

623 and 644 Round Balers
TM - All Inclusive



TECHNICAL MANUAL

Round Balers models 623, 644 (Europe)

TM300319 25 OCT 10 (ENGLISH)



John Deere Agriculture
Printed by Belgreen



Covers: 318D,320D

Type: Service Manual

Language: English

Pages: 741

Format: PDF

Features: Bookmarked, searchable, printable

Compatibility: Windows/Mac/Tablet/Mobile

This service manual contains important information for the maintenance, troubleshooting and servicing of the **John Deere 318D, 320D Skid Steer Loader with EH Controls Diagnostic & Test Service Manual (TM11406)**

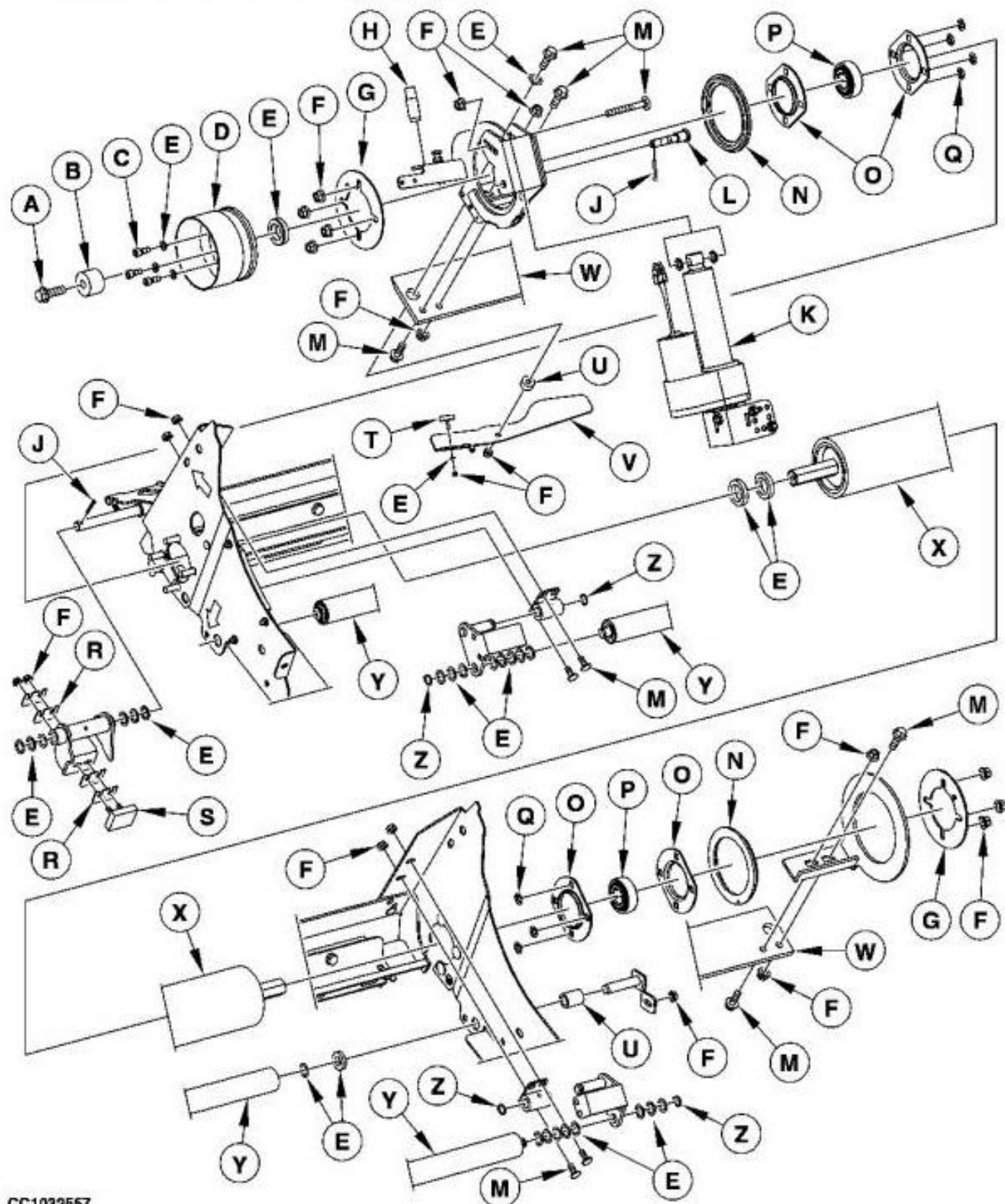
In this manual you will find detailed specifications, illustrations, schematics, diagrams and step-by-step procedures to properly service and diagnose the machine to the manufacturer's standards.

Contents:

- General Information
- Specifications
- Serial Number Location
- Engine Specifications
- Engine Diagnostics
- Engine Tests and Adjustments
- Engine Repair
- Power Train
- Transmission
- Axles
- Differential
- PTO
- Hydraulic System
- Electrical System
- Electrical Tests and Diagnostics
- Wiring Diagram / Schematic
- Ignition and Charging
- Steering
- Brakes
- Wheels
- Operator's Platform
- Body Panels
- Disassembly and Assembly
- Diagnostics, Tests and Adjustments
- Troubleshooting
- and much more...

Please note this manual is in **downloadable PDF format only**. If you have any questions about this product or would like to request sample pages, please contact us and reference the product name or SKU.

Exploded View of Net Tying System

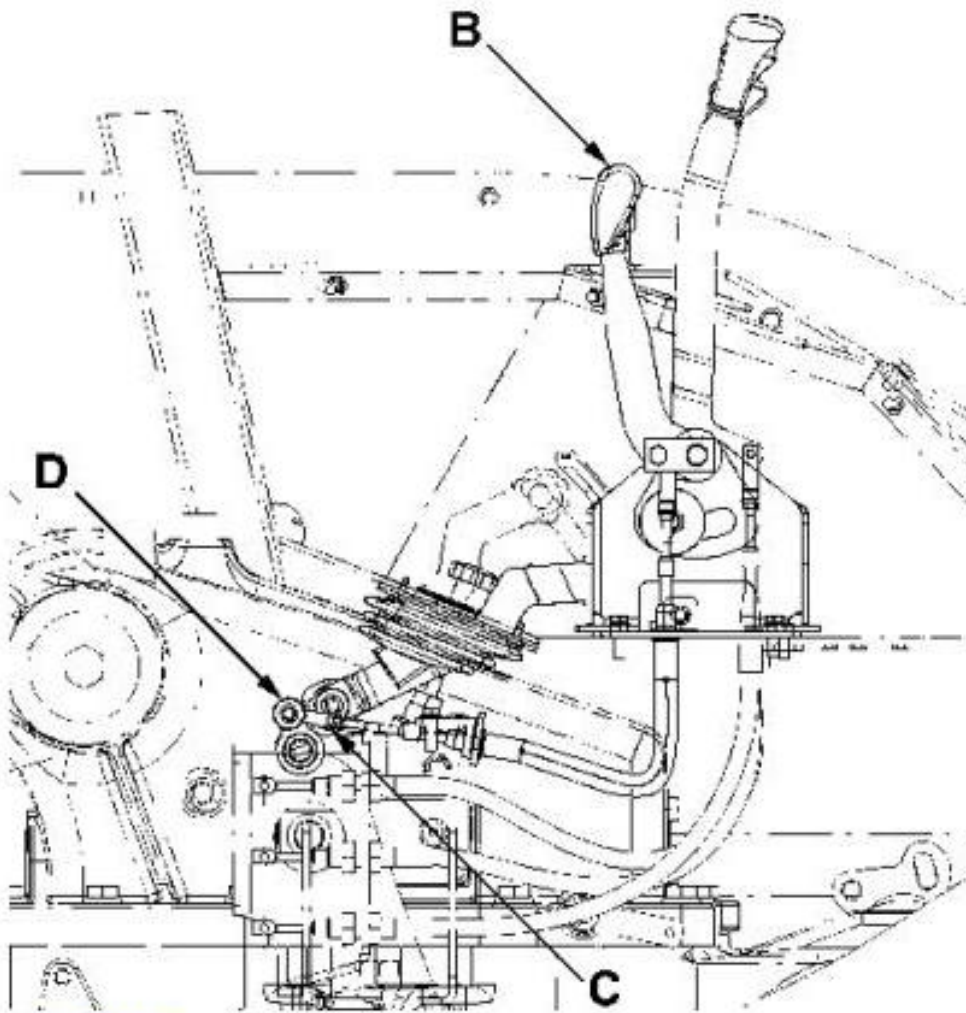


CC1032557

Exploded view

LEGEND:

A	Screw
B	Bushing
C	Cap Screw
D	Pulley
E	Washer

**LEGEND:**

A	Load Selector Lever
B	Rockshaft Control Lever
C	Nut
D	Spherical Terminal

Move the load selector lever (A) to position "Min" (full depth control, lever down).

[2] - Run the engine at approximately 1300 rpm.

[3] - Cycle the rockshaft several times, from the fully lowered position to the fully raised position.

[4] - Move the Rockshaft Control Lever (B) forward until the lever is between 16–21 mm (0.63–0.83 in.) from the end of the console slot.

[5] - Move the Load Selector Lever from "MIN" to "MAX" to "MIN". The Rockshaft Lift Arms should not move.

[6] - If the Rockshaft Lift arms move, lengthen the control lever cable at the spherical terminal until the Rockshaft Lift Arms are fully lowered.

[7] - Double check the Rockshaft Lift Arms being fully lowered by again moving the Load Selector Lever from "MIN" to "MAX" to "MIN".



Thank you very much
for your reading.
Please click here
to get more information.