

John Deere 325SL Backhoe Loader (SN.from 273920) Diagnostic and Test Service Manual (TM13307X19)

325SL Backhoe Loader
Diagnostic




OPERATION AND TEST MANUAL

Backhoe Loaders models 325SL (PIN: 1T0325SLC273920-)**


TM13307X19 16 FEB 16 (ENGLISH)

For complete service information also see:

325SL Backhoe Loader Repair	TM13308X19
JDLINK (MTG) Technical Manual	TM114519
PowerTech 4.5L & 6.8L Diesel Engines Level 12 Electronic Fuel System With Stanadyne DE10 Pump	CTM331
120 Series Hydraulic Cylinders	CTM120519
PowerTech 4.5L Diesel Engines Tier 1/Stage I, Tier 2/Stage II, Tier 3/Stage IIIA	CTM104

PDF  **DOWNLOAD** 

John Deere Construction and Forestry
Printed by Belgreen



TM13307X19

Covers: 325SL,1T0325SL**C273920-)

Type: Service Manual

Language: English

Pages: 990

Format: PDF

Features: Bookmarked, searchable, printable

Compatibility: Windows/Mac/Tablet/Mobile

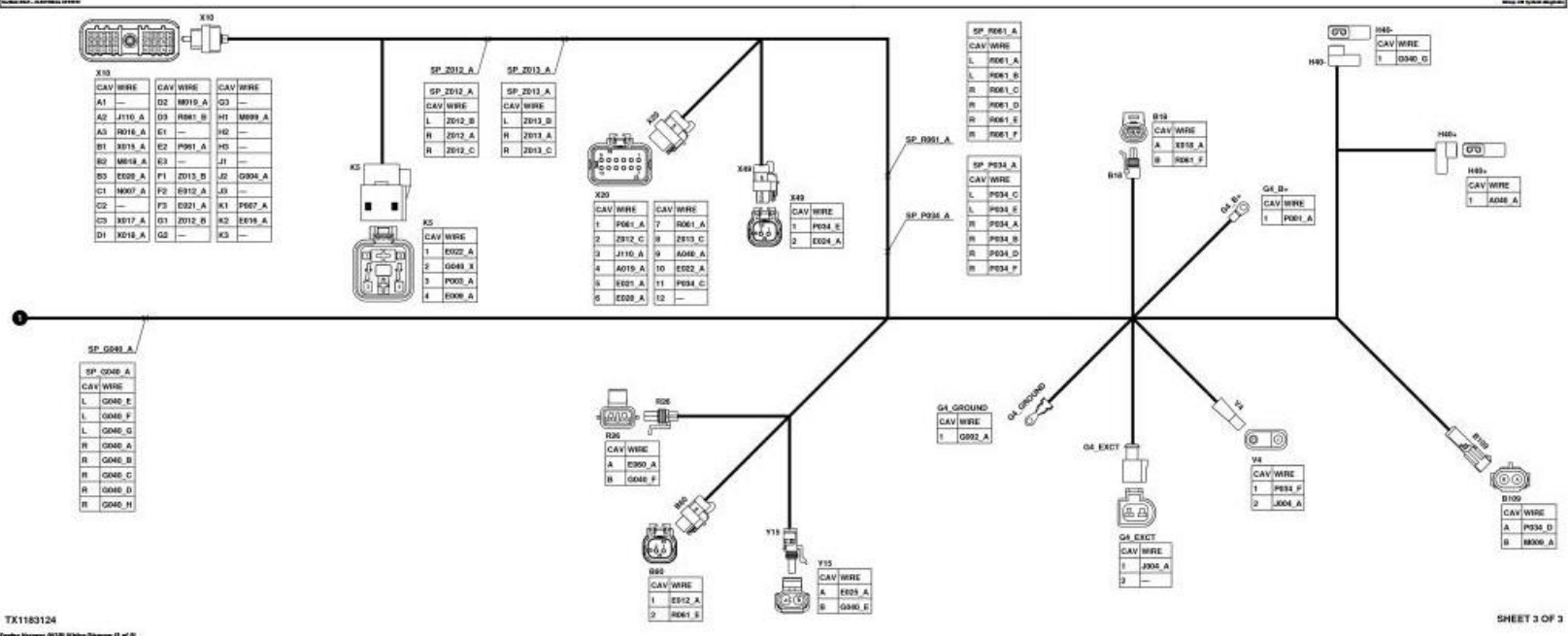
This service manual contains important information for the maintenance, troubleshooting and servicing of the **John Deere 325SL Backhoe Loader (SN.from 273920) Diagnostic and Test Service Manual (TM13307X19)**

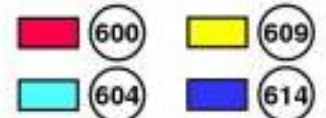
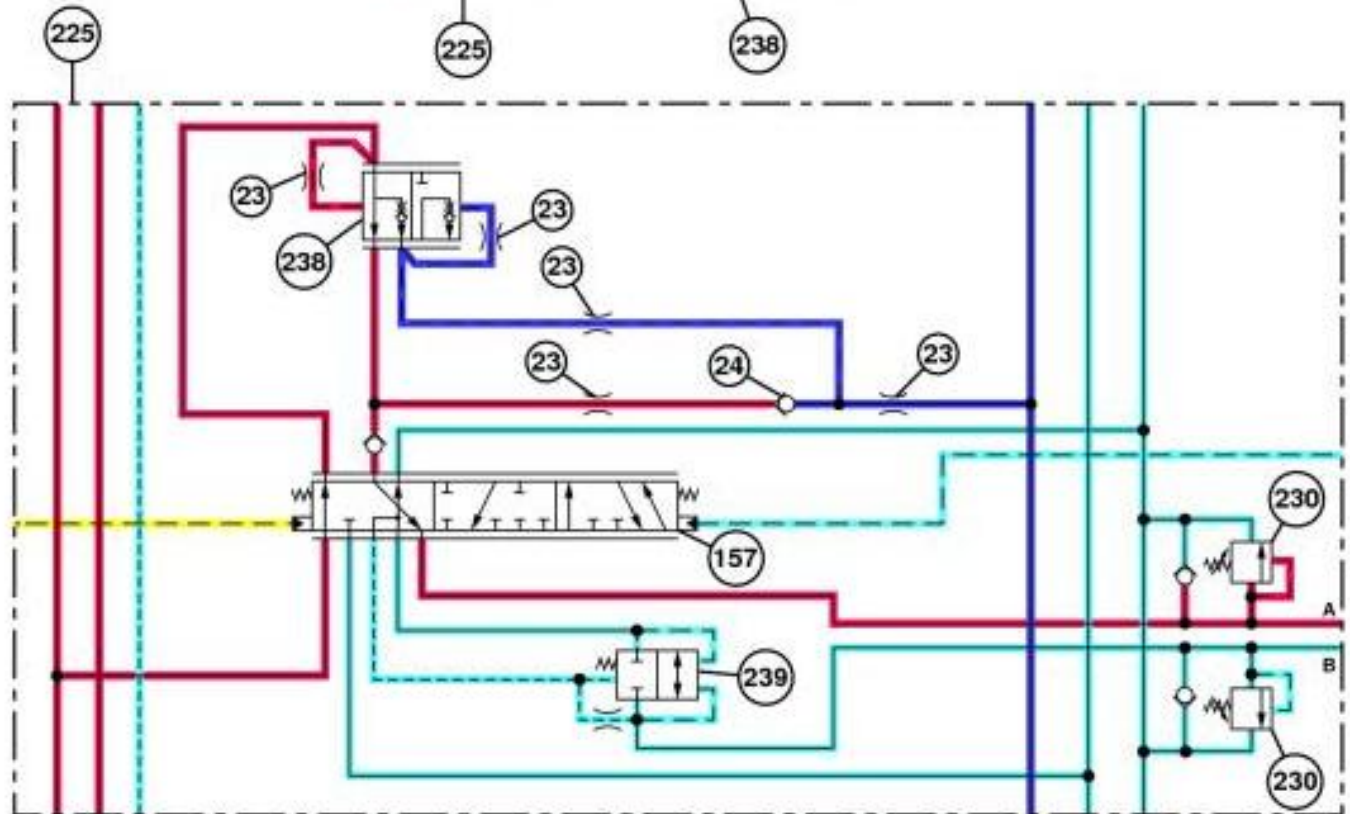
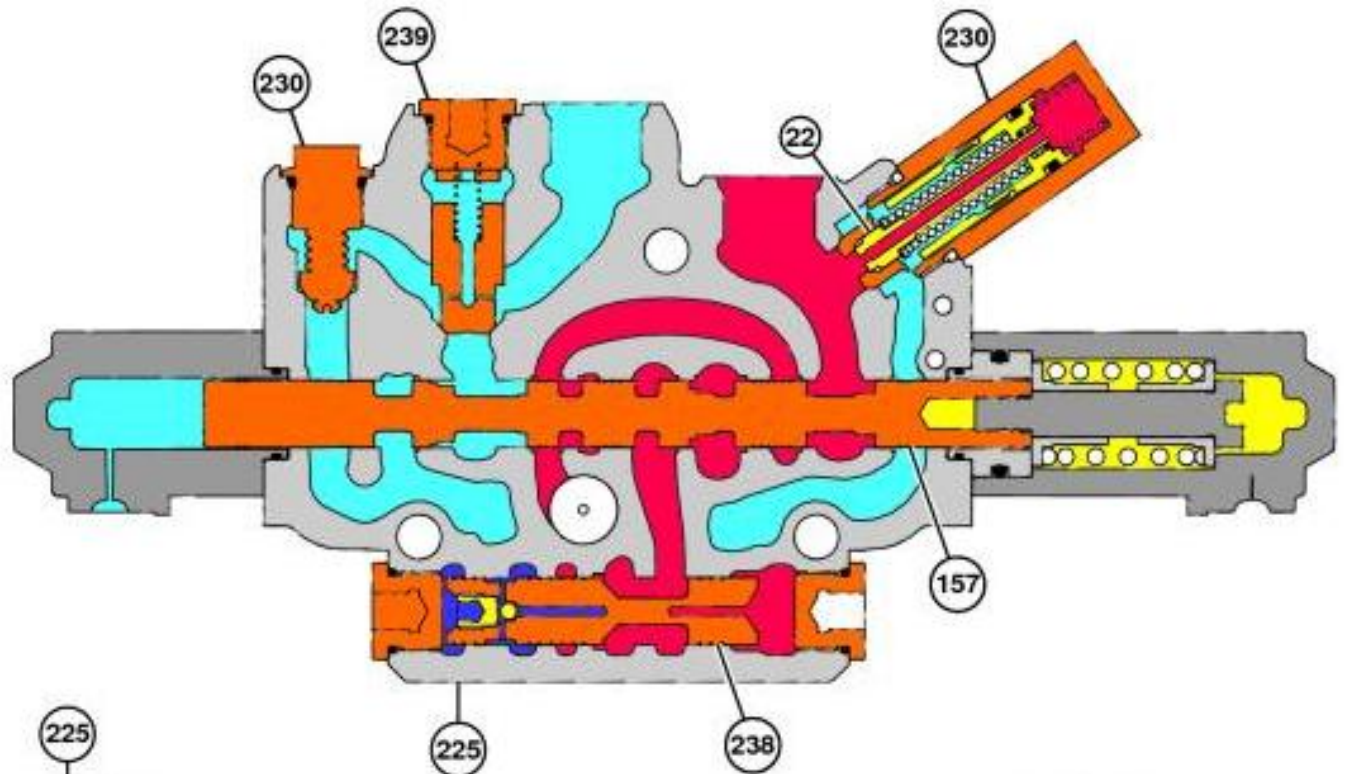
In this manual you will find detailed specifications, illustrations, schematics, diagrams and step-by-step procedures to properly service and diagnose the machine to the manufacturer's standards.

Contents:

- General Information
- Specifications
- Serial Number Location
- Engine Specifications
- Engine Diagnostics
- Engine Tests and Adjustments
- Engine Repair
- Power Train
- Transmission
- Axles
- Differential
- PTO
- Hydraulic System
- Electrical System
- Electrical Tests and Diagnostics
- Wiring Diagram / Schematic
- Ignition and Charging
- Steering
- Brakes
- Wheels
- Operator's Platform
- Body Panels
- Disassembly and Assembly
- Diagnostics, Tests and Adjustments
- Troubleshooting
- and much more...

Please note this manual is in **downloadable PDF format only**. If you have any questions about this product or would like to request sample pages, please contact us and reference the product name or SKU.





TX1186149

Boom Valve Section Shown (activated state shown)

LEGEND:

- 22 Relief Poppet
- 23 Orifice (5 used)
- 24 Load Check
- 157 Backhoe Boom Spool
- 225 Boom Valve Section
- 230 Boom Circuit Relief Valve (with anticavitation) (2 used)



Thank you very much
for your reading.
Please click here
to get more information.