

# John Deere 3754D Log Loader Service Repair Technical Manual (TM10423)

525D, 530D & 536D  
Draper Platforms TM - All  
Inclusive



**TECHNICAL MANUAL**

**Draper Platforms models 525D, 530D and 536D**

TM142719 04 DEC 15 (ENGLISH)



John Deere Agriculture  
Printed by Belgreen



**Covers:** 3754D

**Type:** Service Manual

**Language:** English

**Pages:** 511

**Format:** PDF

**Features:** Bookmarked, searchable, printable

**Compatibility:** Windows/Mac/Tablet/Mobile

This service manual contains important information for the maintenance, troubleshooting and servicing of the **John Deere 3754D Log Loader Service Repair Technical Manual (TM10423)**

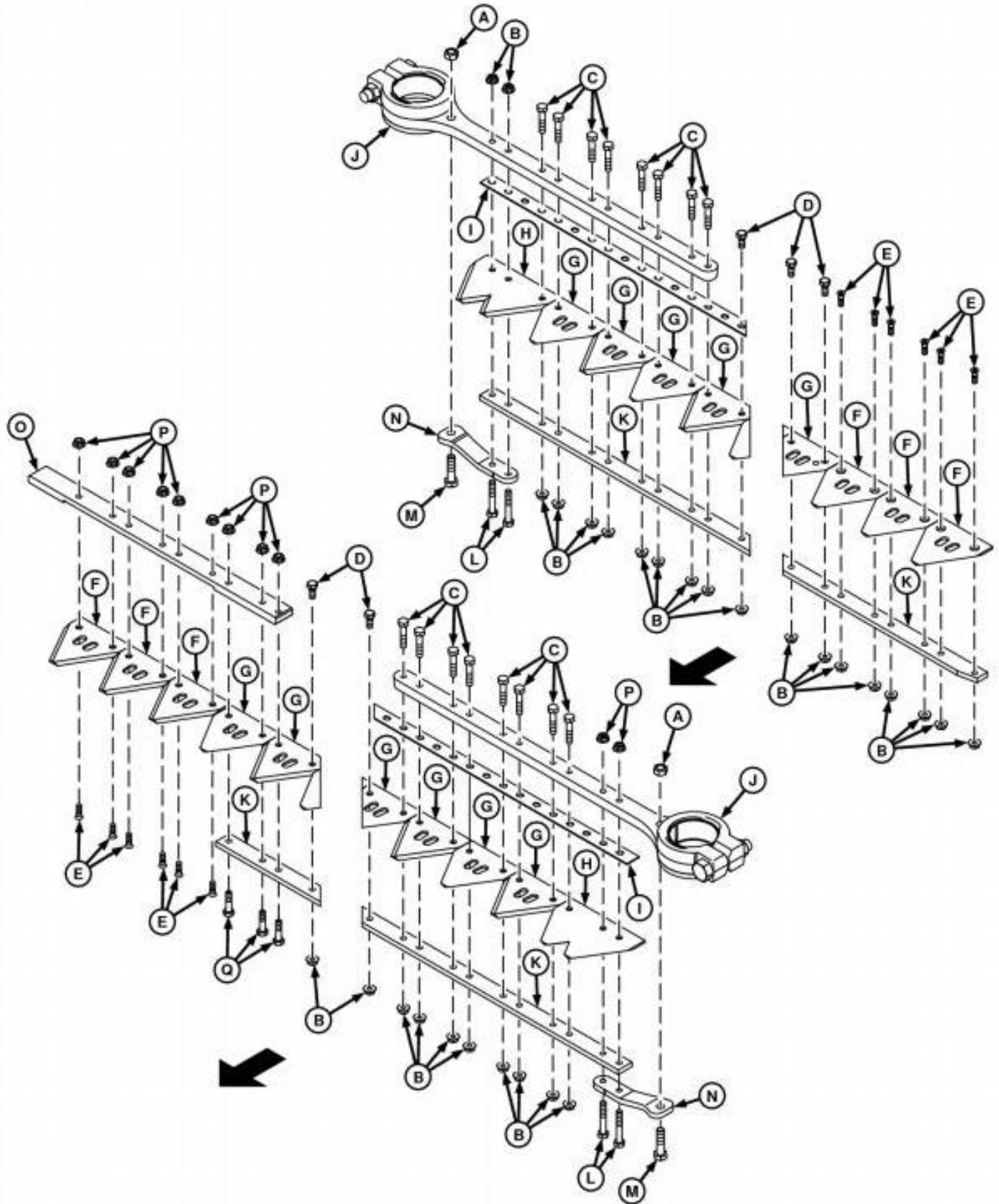
In this manual you will find detailed specifications, illustrations, schematics, diagrams and step-by-step procedures to properly service and diagnose the machine to the manufacturer's standards.

**Contents:**

- General Information
- Specifications
- Serial Number Location
- Engine Specifications
- Engine Diagnostics
- Engine Tests and Adjustments
- Engine Repair
- Power Train
- Transmission
- Axles
- Differential
- PTO
- Hydraulic System
- Electrical System
- Electrical Tests and Diagnostics
- Wiring Diagram / Schematic
- Ignition and Charging
- Steering
- Brakes
- Wheels
- Operator's Platform
- Body Panels
- Disassembly and Assembly
- Diagnostics, Tests and Adjustments
- Troubleshooting
- and much more...

Please note this manual is in **downloadable PDF format only**. If you have any questions about this product or would like to request sample pages, please contact us and reference the product name or SKU.

# Knife Head and Cutterbar Exploded View

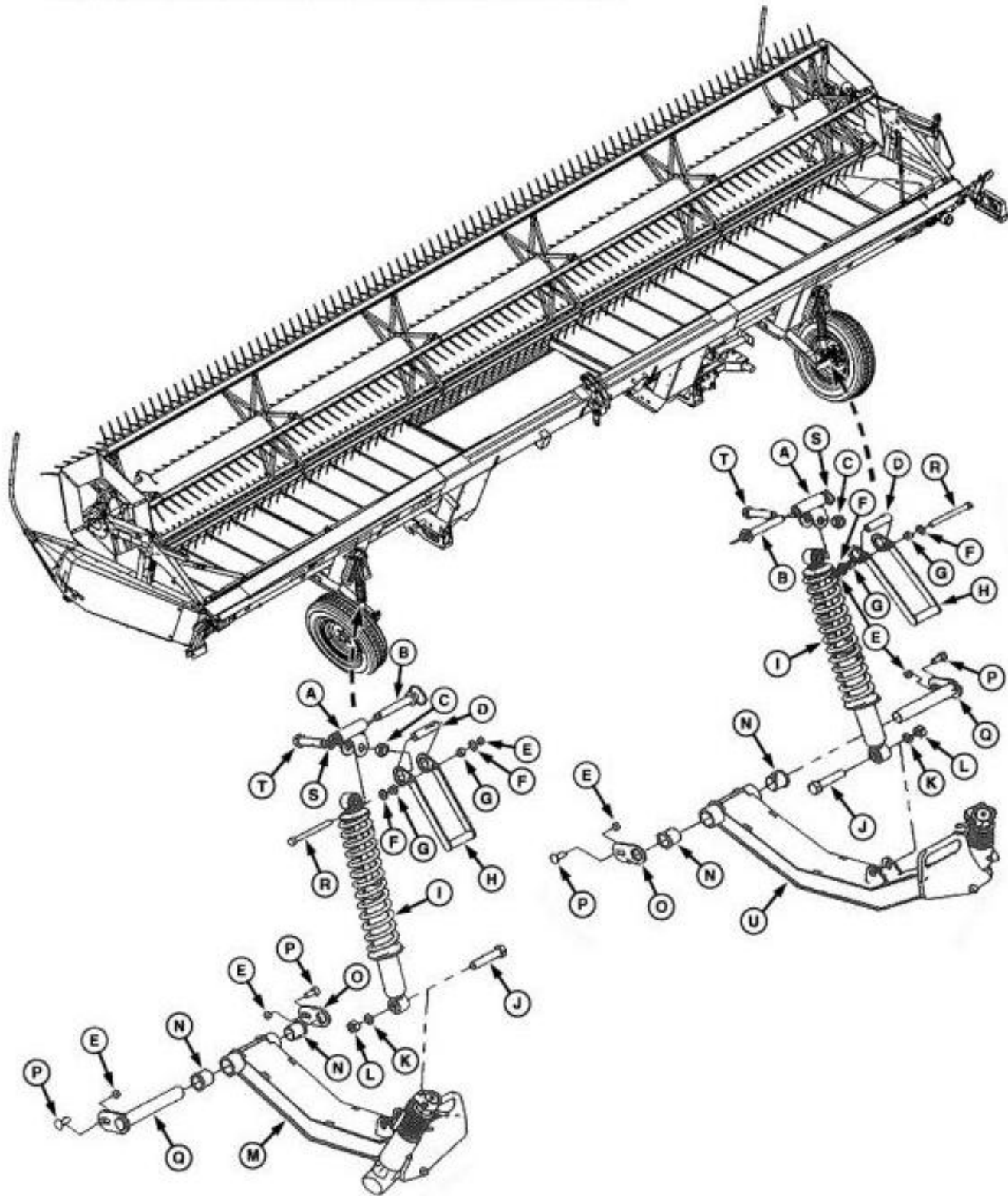


**Knife Head and Cutterbar Exploded View**

**LEGEND:**

- A Lock Nut
- B Flange Lock Nut (as required)

# Gauge Wheel Suspension Exploded View



## Gauge Wheel Suspension Exploded View

### LEGEND:

A	Clevis (2 used)
B	Hitch Pin (2 used)
C	Lock Nuts (2 used)
D	Spacer (2 used)
E	Lock Nuts (6 used)
F	Washer (4 used)
G	Spacers (4 used)
H	Wheel Handle (2 used)



Thank you very much  
for your reading.  
Please click here  
to get more information.