

John Deere 410J Backhoe Loader (S.N.from 161617) Service Repair Technical Manual (TM10851)

324H and 344H 4WD
Loader Repair



REPAIR TECHNICAL MANUAL
4WD Loaders Models 324H, 344H

TM1746 22 FEB 05 (ENGLISH)

For complete service information also see:

324H and 344H Loader Diagnostic

TM1745

Alternators and Starting Motors

CTM77

PowerTech 4.5L & 6.8L Diesel Engines Tier 1/Stage I, Tier 2/Stage II, Tier 3/Stage IIIA, Tier 3/Stage IIA Tier 3/Stage III, (Base Engine)

CTM104



John Deere Construction and Forestry
Printed by Belgreen



Type: Service Manual

Language: English

Pages: 787

Format: PDF

Features: Bookmarked, searchable, printable

Compatibility: Windows/Mac/Tablet/Mobile

This service manual contains important information for the maintenance, troubleshooting and servicing of the **John Deere 410J Backhoe Loader (S.N.from 161617) Service Repair Technical Manual (TM10851)**

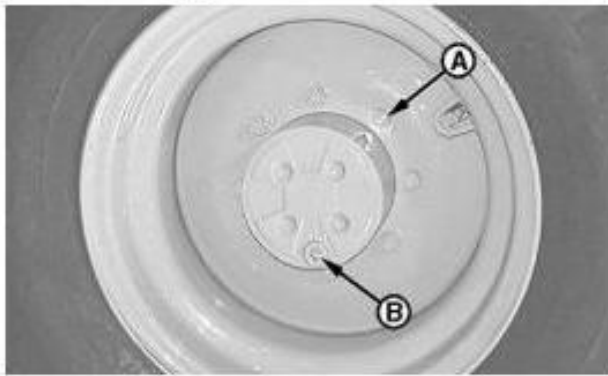
In this manual you will find detailed specifications, illustrations, schematics, diagrams and step-by-step procedures to properly service and diagnose the machine to the manufacturer's standards.

Contents:

- General Information
- Specifications
- Serial Number Location
- Engine Specifications
- Engine Diagnostics
- Engine Tests and Adjustments
- Engine Repair
- Power Train
- Transmission
- Axles
- Differential
- PTO
- Hydraulic System
- Electrical System
- Electrical Tests and Diagnostics
- Wiring Diagram / Schematic
- Ignition and Charging
- Steering
- Brakes
- Wheels
- Operator's Platform
- Body Panels
- Disassembly and Assembly
- Diagnostics, Tests and Adjustments
- Troubleshooting
- and much more...

Please note this manual is in **downloadable PDF format only**. If you have any questions about this product or would like to request sample pages, please contact us and reference the product name or SKU.

Disassemble Rear Axle Wheel Hub With Planetary Drive And Knuckle Housing-324H



LEGEND:

- A Nuts (8 used)
B Drain Plug

Drain Plug Location

- [1] - Raise rear of machine and put two shop stands under rear frame.
[2] - Turn planetary carrier so drain plug (B) is at the bottom.
[3] -



CAUTION:

Avoid injury. Wheel weighs approximately 141 kg (310 lb).

Item	Measurement	Specification
Wheel	Weight	141 kg (310 lb) Approximate

Remove nuts (A) to remove wheel using wheel lift.

- [4] -



CAUTION:

Avoid injury. Warmed hubs may have pressure built up in oil compartment. Use care when loosening drain plug.

Remove drain plug to drain oil. Oil capacity is approximately 0.7 L (24 oz).

- [5] -



LEGEND:

- A Socket Head Screw (2 used)
B Planet Carrier

Planet Carrier

Remove socket head screws (A) and planet carrier (B).

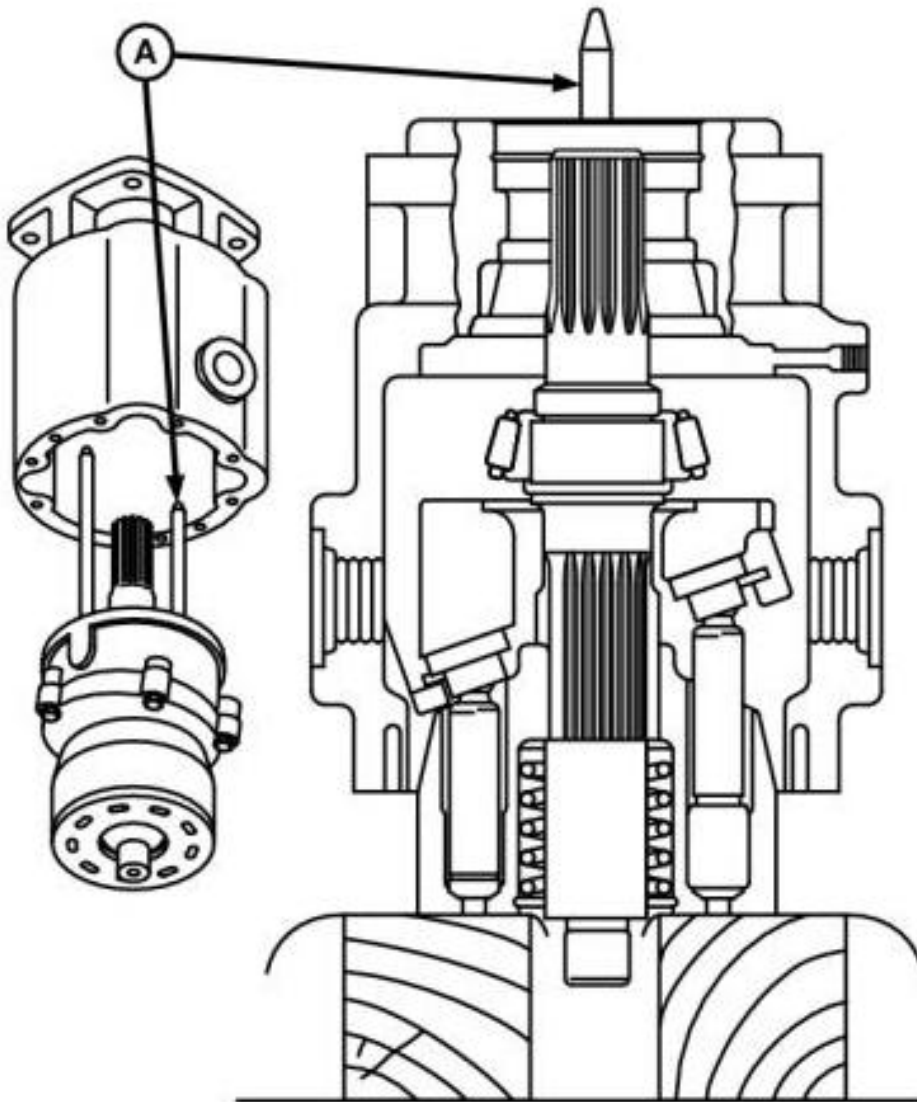
- [6] -

DFT8T2

Used to install bearing.

[8] - Carefully position cylinder and washplate assembly with cylinder face on a clean flat surface. Lubricate and install shaft assembly.

[9] -



Motor Assembly

LEGEND:

A Alignment Rod (2 used)

Obtain two 5/16 x 6 in. cap screws and remove heads.

[10] - Chamfer non-threaded end with appropriate grinding device and remove all burrs.

[11] - Install fabricated alignment rods (A) into the swashplate to use as guides.

[12] - Align the pin in housing with the notch in swashplate and carefully slide housing over the shaft, swashplate, and cylinder assembly. Insert alignment rods through two holes in housing used for swashplate cap screws.

[13] -



Thank you very much
for your reading.
Please click here
to get more information.