

John Deere 444H, 544H 4WD Loaders; TC44H, TC54H Tool Carrier Loaders Service Repair Manual (tm1605)

329D and 333D Skid Steer
Loader (Manual Controls)
Diagnostic



OPERATION AND TEST MANUAL

Manual Controls models 329D, 333D

TM11446 01 DEC 15 (ENGLISH)

For complete service information also see:

326D, 328D, 329D, 332D and 333D Skid Steer Loader (Manual Controls)
Repair

TM11431

Super Caddy Oil Cleanup Procedure

CTM310

120 Series Hydraulic Cylinders

CTM120519

120 Series Hydraulic Cylinders

CTM114319

PowerTech E 2.4L

COOLANT HEATER



John Deere Commercial Worksite Products
Printed by Belgreen



Covers: 444H,544H,TC44H,TC54H

Type: Service Manual

Language: English

Pages: 588

Format: PDF

Features: Bookmarked, searchable, printable

Compatibility: Windows/Mac/Tablet/Mobile

This service manual contains important information for the maintenance, troubleshooting and servicing of the **John Deere 444H, 544H 4WD Loaders; TC44H, TC54H Tool Carrier Loaders Service Repair Manual (tm1605)**

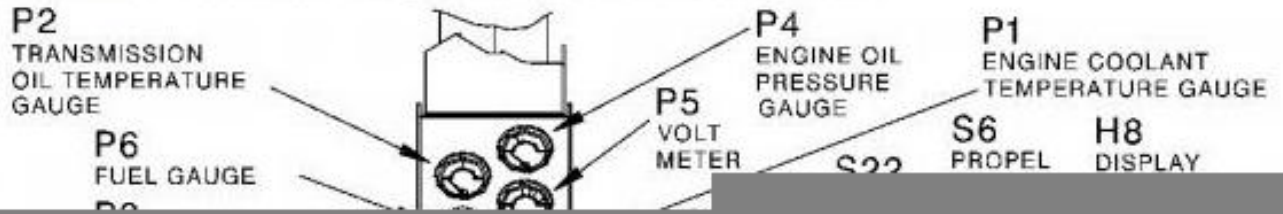
In this manual you will find detailed specifications, illustrations, schematics, diagrams and step-by-step procedures to properly service and diagnose the machine to the manufacturer's standards.

Contents:

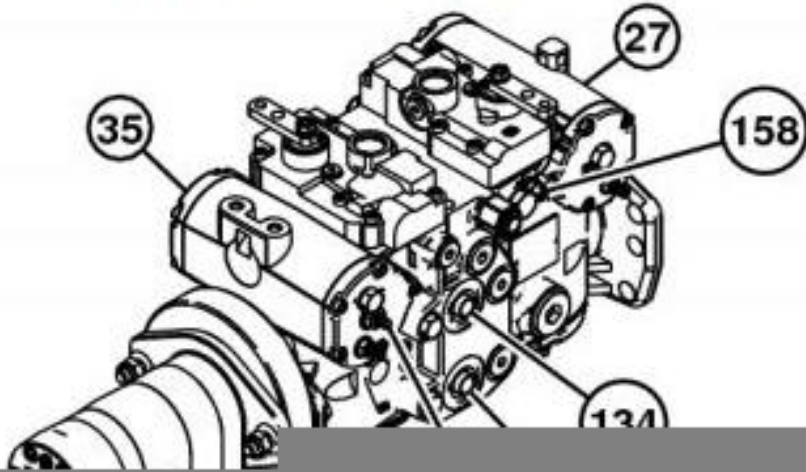
- General Information
- Specifications
- Serial Number Location
- Engine Specifications
- Engine Diagnostics
- Engine Tests and Adjustments
- Engine Repair
- Power Train
- Transmission
- Axles
- Differential
- PTO
- Hydraulic System
- Electrical System
- Electrical Tests and Diagnostics
- Wiring Diagram / Schematic
- Ignition and Charging
- Steering
- Brakes
- Wheels
- Operator's Platform
- Body Panels
- Disassembly and Assembly
- Diagnostics, Tests and Adjustments
- Troubleshooting
- and much more...

Please note this manual is in **downloadable PDF format only**. If you have any questions about this product or would like to request sample pages, please contact us and reference the product name or SKU.

Cab Harness (W4) Component Location Diagram



Hydrostatic Pump Neutral Adjustment





Thank you very much
for your reading.
Please click here
to get more information.