


# John Deere 444K 4WD Loader (SN. from F670308) Service Repair Technical Manual (TM13367X19)



4890 Self-Propelled  
Windrower Diagnostic




**DIAGNOSIS AND TESTS MANUAL**  
**Self-Propelled Windrowers models 4890**  
TM1781 30 OCT 01 (ENGLISH)

**For complete service information also see:**

|                                                                                                                               |        |
|-------------------------------------------------------------------------------------------------------------------------------|--------|
| 890 Auger & Specialty Crop Platforms - Repair                                                                                 | TM1632 |
| 4890 Self-Propelled Windrower Repair                                                                                          | TM1617 |
| Alternators and Starting Motors                                                                                               | CTM77  |
| PowerTech 4.5L & 6.8L Diesel Engines Tier 1/Stage I, Tier 2/Stage II, Tier 3/Stage IIIA, Tier 3/Stage IIIB, Tier 3/Stage IIIC | CTM104 |

**PDF**  **DOWNLOAD** 

John Deere Agriculture  
Printed by Belgroen



TM1781

**Covers:** 444K,1DW444K\*\*\*F670308-)

**Type:** Service Manual

**Language:** English

**Pages:** 584

**Format:** PDF

**Features:** Bookmarked, searchable, printable

**Compatibility:** Windows/Mac/Tablet/Mobile

This service manual contains important information for the maintenance, troubleshooting and servicing of the **John Deere 444K 4WD Loader (SN. from F670308) Service Repair Technical Manual (TM13367X19)**

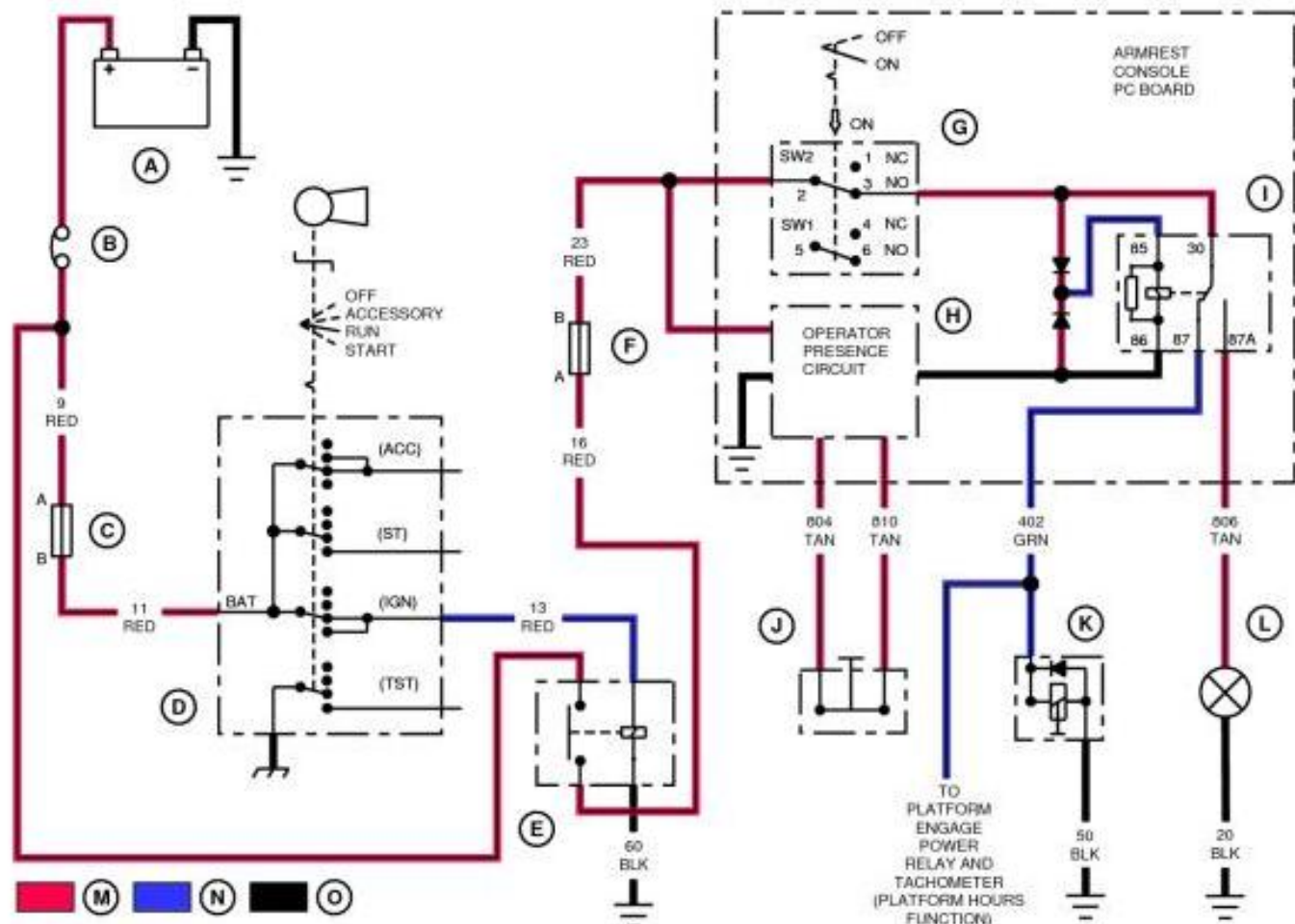
In this manual you will find detailed specifications, illustrations, schematics, diagrams and step-by-step procedures to properly service and diagnose the machine to the manufacturer's standards.

**Contents:**

- General Information
- Specifications
- Serial Number Location
- Engine Specifications
- Engine Diagnostics
- Engine Tests and Adjustments
- Engine Repair
- Power Train
- Transmission
- Axles
- Differential
- PTO
- Hydraulic System
- Electrical System
- Electrical Tests and Diagnostics
- Wiring Diagram / Schematic
- Ignition and Charging
- Steering
- Brakes
- Wheels
- Operator's Platform
- Body Panels
- Disassembly and Assembly
- Diagnostics, Tests and Adjustments
- Troubleshooting
- and much more...

Please note this manual is in **downloadable PDF format only**. If you have any questions about this product or would like to request sample pages, please contact us and reference the product name or SKU.

## Platform Drive Operation-Forward



### PLATFORM DRIVE OPERATION — FORWARD

#### Platform Drive Operation-Forward

##### LEGEND:

|   |                               |
|---|-------------------------------|
| A | Battery                       |
| B | 50-Amp Circuit Breaker (BKR1) |
| C | 20-Amp Fuse (F9)              |
| D | Key Switch                    |
| E | Control Power Relay           |
| F | 10-Amp Fuse (F4)              |
| G | Platform Forward Switch       |
| H | Operator Presence Circuit     |
| I | Operator Presence Relay       |
| J | Seat Switch                   |
| K | Platform Forward Solenoid     |
| L | Operator Presence Lamp        |
| M | Power Circuit                 |
| N | Energizing Circuit            |
| O | Ground Circuit                |

When key switch (D) is in the RUN position, current flows from battery (A) through circuit breaker (B) and 20-amp fuse (C) to key switch BATT terminal.

Current from the key switch IGN terminal energizes the coil of control power relay (E). With the coil energized, current flows across the main contacts of the control power relay and through 10-amp fuse (F) to platform forward switch (G) and operator presence circuit (H).

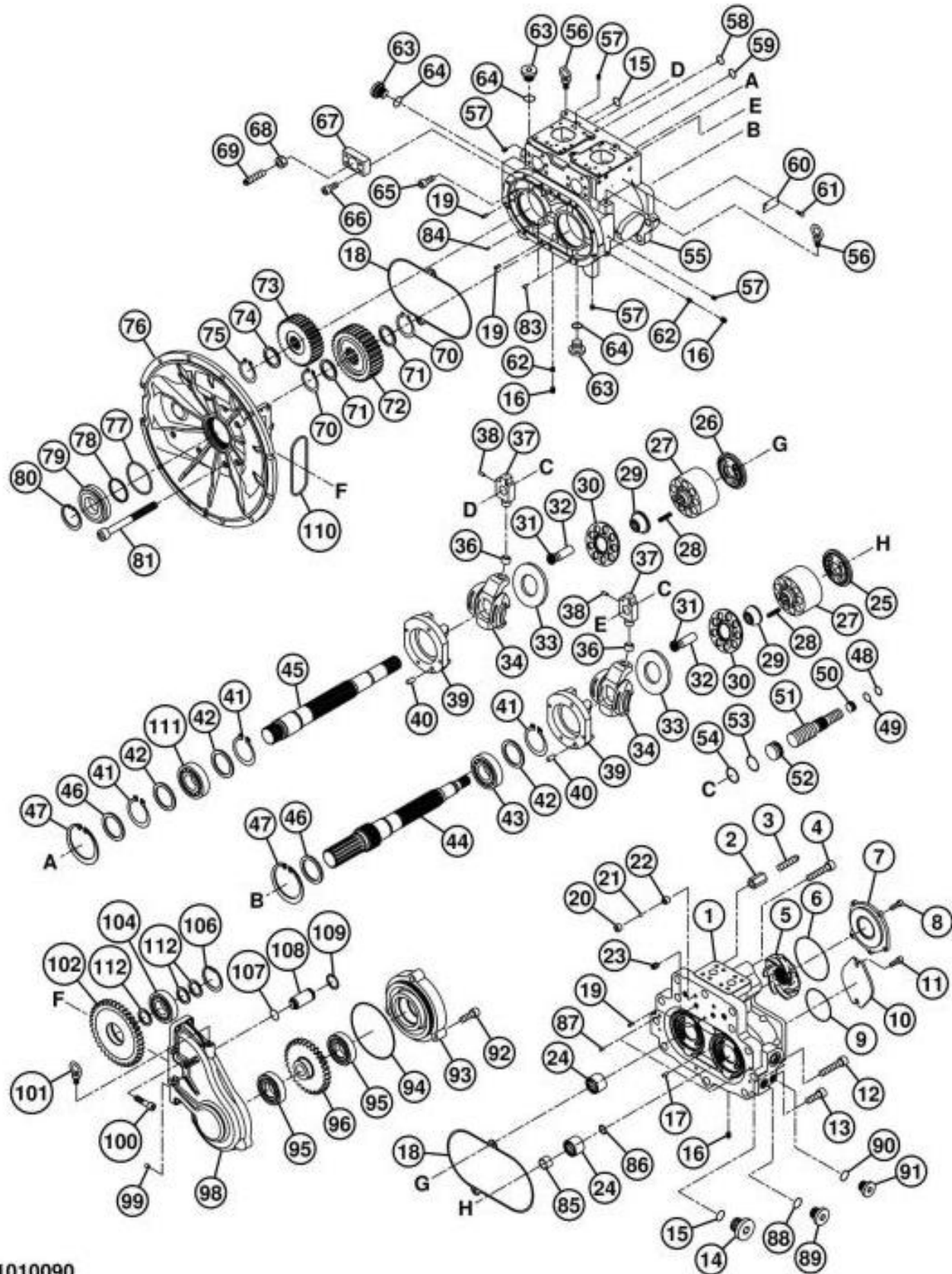
When the operator is in the seat, seat switch (J) is closed and the operator presence circuit closes the ground circuit for operator presence relay (I).

When platform forward switch (G) is in the ON position, the coil of the operator presence relay is energized. With the coil

# Pump 1 and 2 Disassemble and Assemble

[1] - Remove pumps. [See Pump 1 and 2 Remove and Install.](#) (Group 3360.)

[2] -



TX1010090

Pumps 1 and 2



Thank you very much  
for your reading.  
Please click here  
to get more information.