

John Deere 468, 468 Silage Special and 568 Round Balers Service Repair Technical Manual (TM1035)

210G and 210GLC Excavator Diagnostic

OPERATION AND TEST MANUAL

T2/S2 models 210GLC (PIN: 1FF210GX_C520001)

TM12536 11SEP15 (ENGLISH)

For complete service information also see:

210G and 210GLC Excavator (PIN:
1FF210GX_D520001-)(PIN: 1FF210GX_
_C520001-) TM12539

JDLink (MTG) Technical Manual TM114519

PowerTech E 4.5 and 6.8L Diesel Engines
Level 16 Electronic Fuel System With
Denso HPCR CTM502

Super Caddy Oil Cleanup Process CTM310

PowerTech 4.5L
Tier 1/Stage I, Tier
3/Stage IIIA, Tier
III, (Base Engine)



DOWNLOAD



John Deere Construction and Forestry

Covers: 468,568

Type: Service Manual

Language: English

Pages: 793

Format: PDF

Features: Bookmarked, searchable, printable

Compatibility: Windows/Mac/Tablet/Mobile

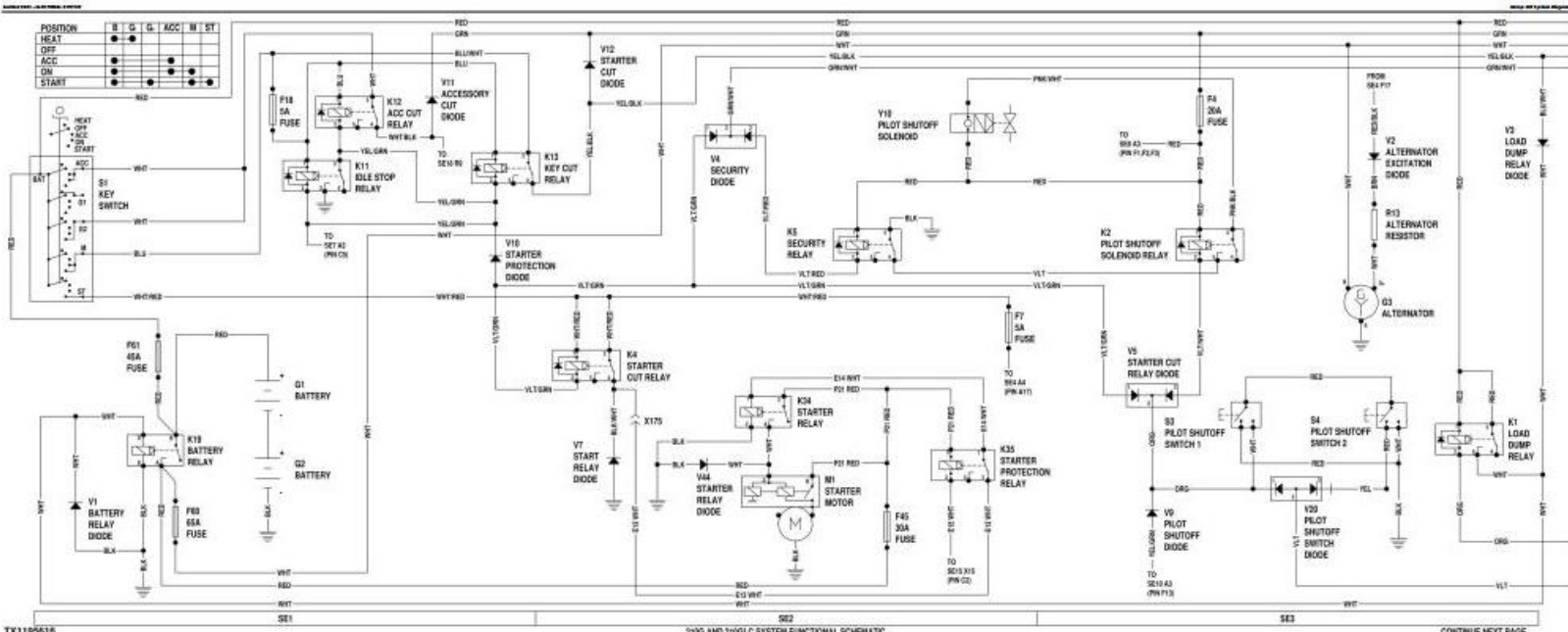
This service manual contains important information for the maintenance, troubleshooting and servicing of the **John Deere 468, 468 Silage Special and 568 Round Balers Service Repair Technical Manual (TM1035)**

In this manual you will find detailed specifications, illustrations, schematics, diagrams and step-by-step procedures to properly service and diagnose the machine to the manufacturer's standards.

Contents:

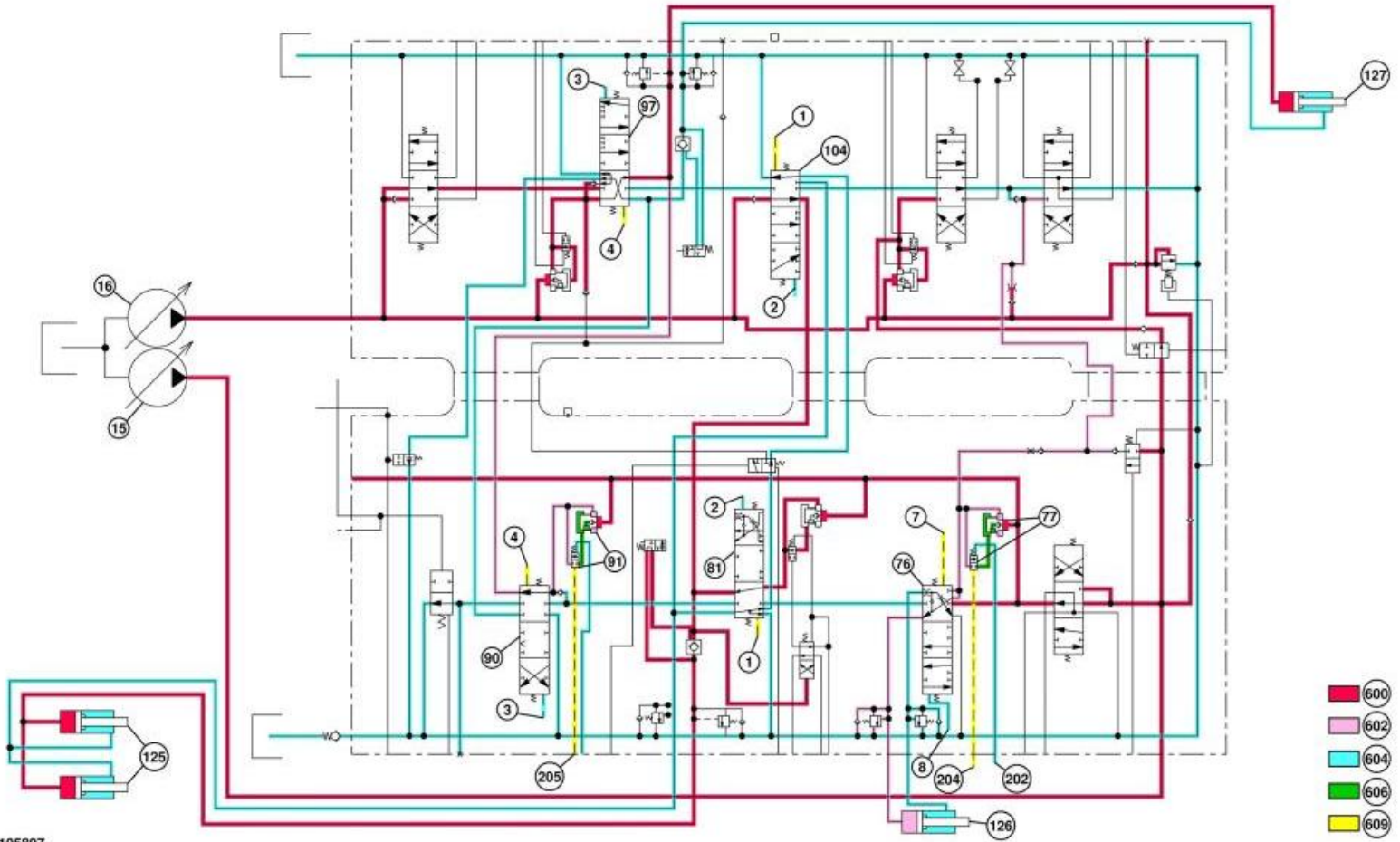
- General Information
- Specifications
- Serial Number Location
- Engine Specifications
- Engine Diagnostics
- Engine Tests and Adjustments
- Engine Repair
- Power Train
- Transmission
- Axles
- Differential
- PTO
- Hydraulic System
- Electrical System
- Electrical Tests and Diagnostics
- Wiring Diagram / Schematic
- Ignition and Charging
- Steering
- Brakes
- Wheels
- Operator's Platform
- Body Panels
- Disassembly and Assembly
- Diagnostics, Tests and Adjustments
- Troubleshooting
- and much more...

Please note this manual is in **downloadable PDF format only**. If you have any questions about this product or would like to request sample pages, please contact us and reference the product name or SKU.



TX1190518 2100 AND 2100LC SYSTEM FUNCTIONAL SCHEMATIC CONTINUE NEXT PAGE

Source: Freedman Electronic Diagrams model 6882700A, 6882700B, and 68827111 (P/N 4613) (P/N 4613) (P/N 4613) (P/N 4613)



- 600
- 602
- 604
- 606
- 609

TX1105897

Bucket Flow Rate Control Valve Circuit Operation



Thank you very much
for your reading.
Please click here
to get more information.