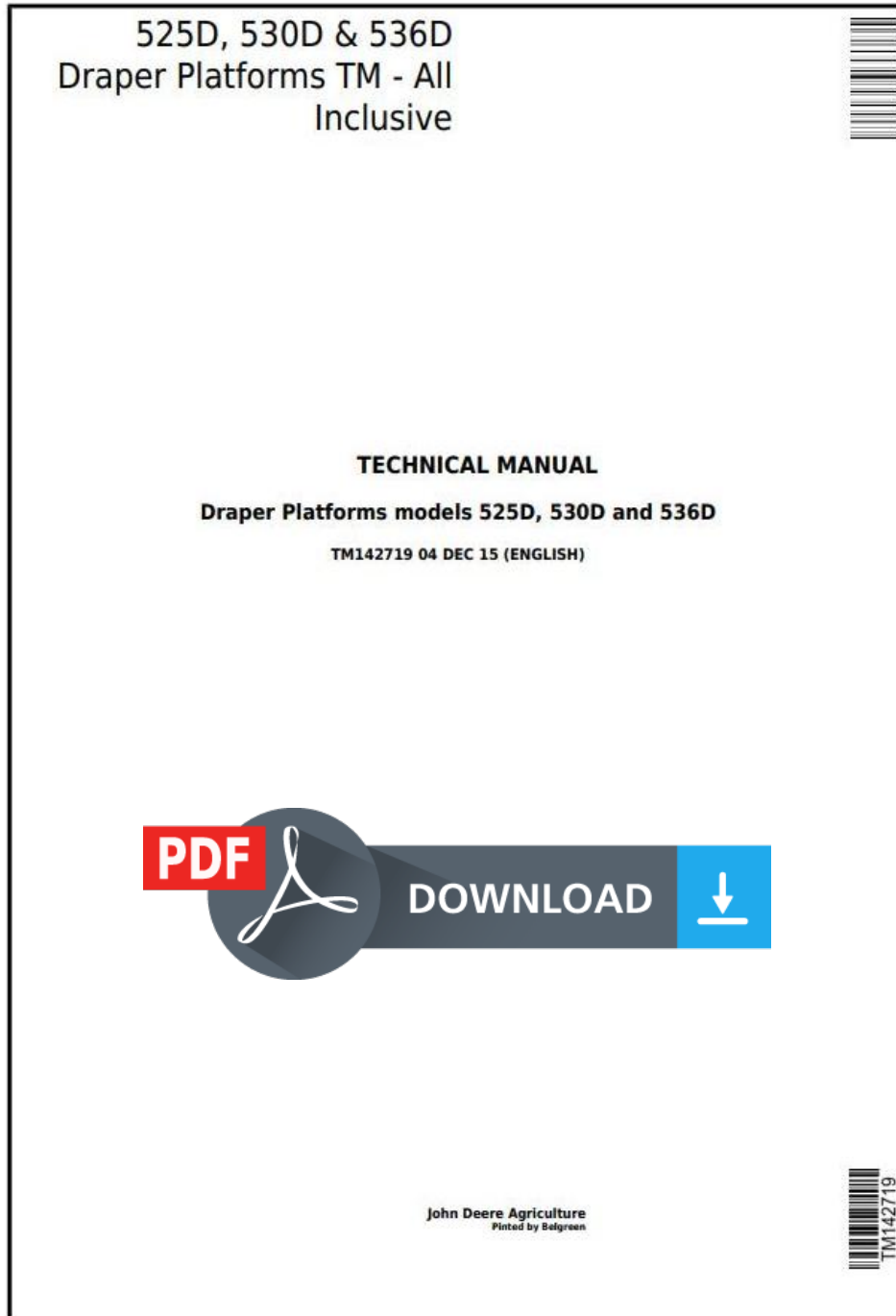


John Deere 525D, 530D, 536D Hay and Forage Draper Platform All Inclusive Technical Manual (TM142719)



Covers: 525D,530D,536D

Type: Service Manual

Language: English

Pages: 263

Format: PDF

Features: Bookmarked, searchable, printable

Compatibility: Windows/Mac/Tablet/Mobile

This service manual contains important information for the maintenance, troubleshooting and servicing of the **John Deere 525D, 530D, 536D Hay and Forage Draper Platform All Inclusive Technical Manual (TM142719)**

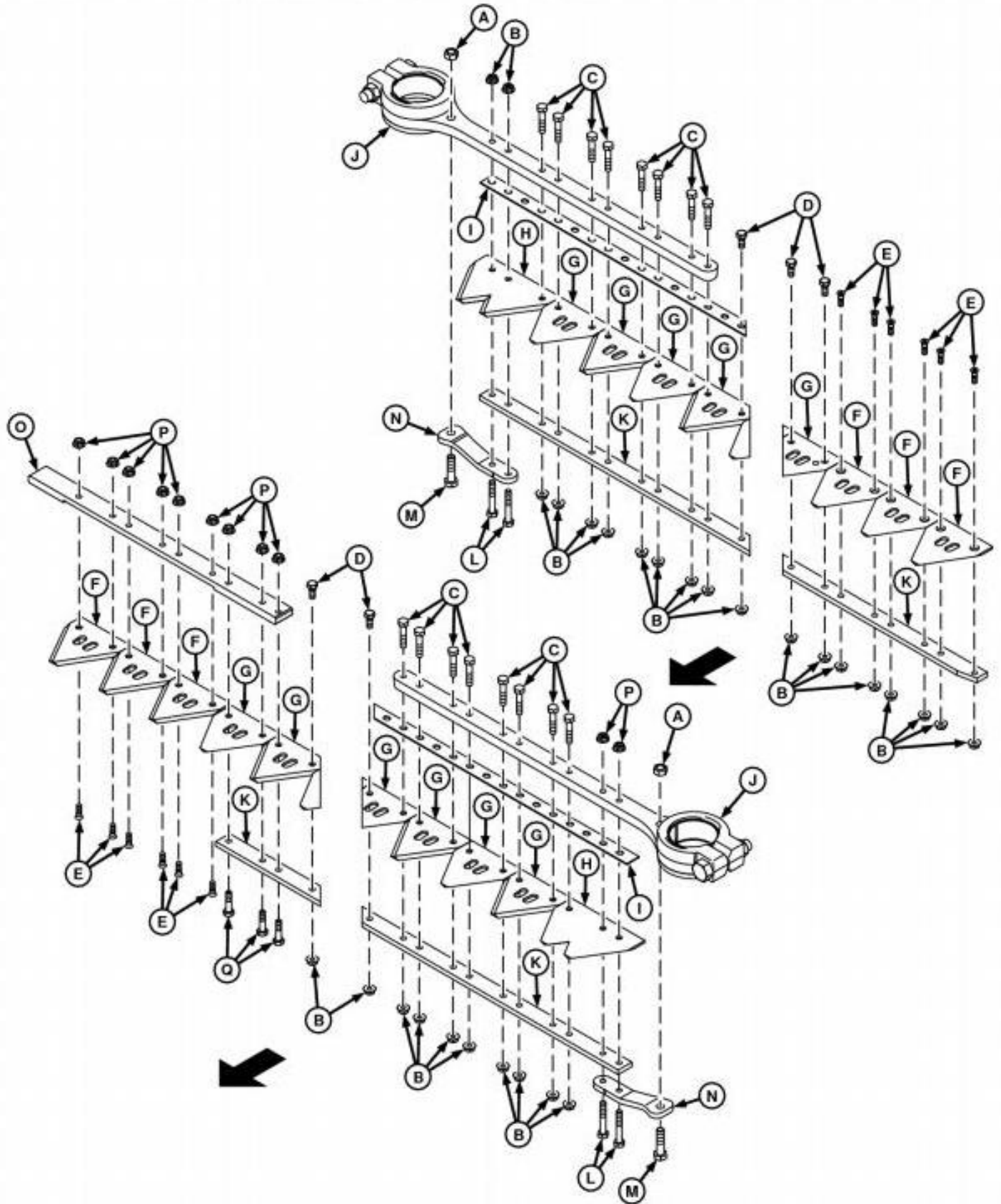
In this manual you will find detailed specifications, illustrations, schematics, diagrams and step-by-step procedures to properly service and diagnose the machine to the manufacturer's standards.

Contents:

- General Information
- Specifications
- Serial Number Location
- Engine Specifications
- Engine Diagnostics
- Engine Tests and Adjustments
- Engine Repair
- Power Train
- Transmission
- Axles
- Differential
- PTO
- Hydraulic System
- Electrical System
- Electrical Tests and Diagnostics
- Wiring Diagram / Schematic
- Ignition and Charging
- Steering
- Brakes
- Wheels
- Operator's Platform
- Body Panels
- Disassembly and Assembly
- Diagnostics, Tests and Adjustments
- Troubleshooting
- and much more...

Please note this manual is in **downloadable PDF format only**. If you have any questions about this product or would like to request sample pages, please contact us and reference the product name or SKU.

Knife Head and Cutterbar Exploded View

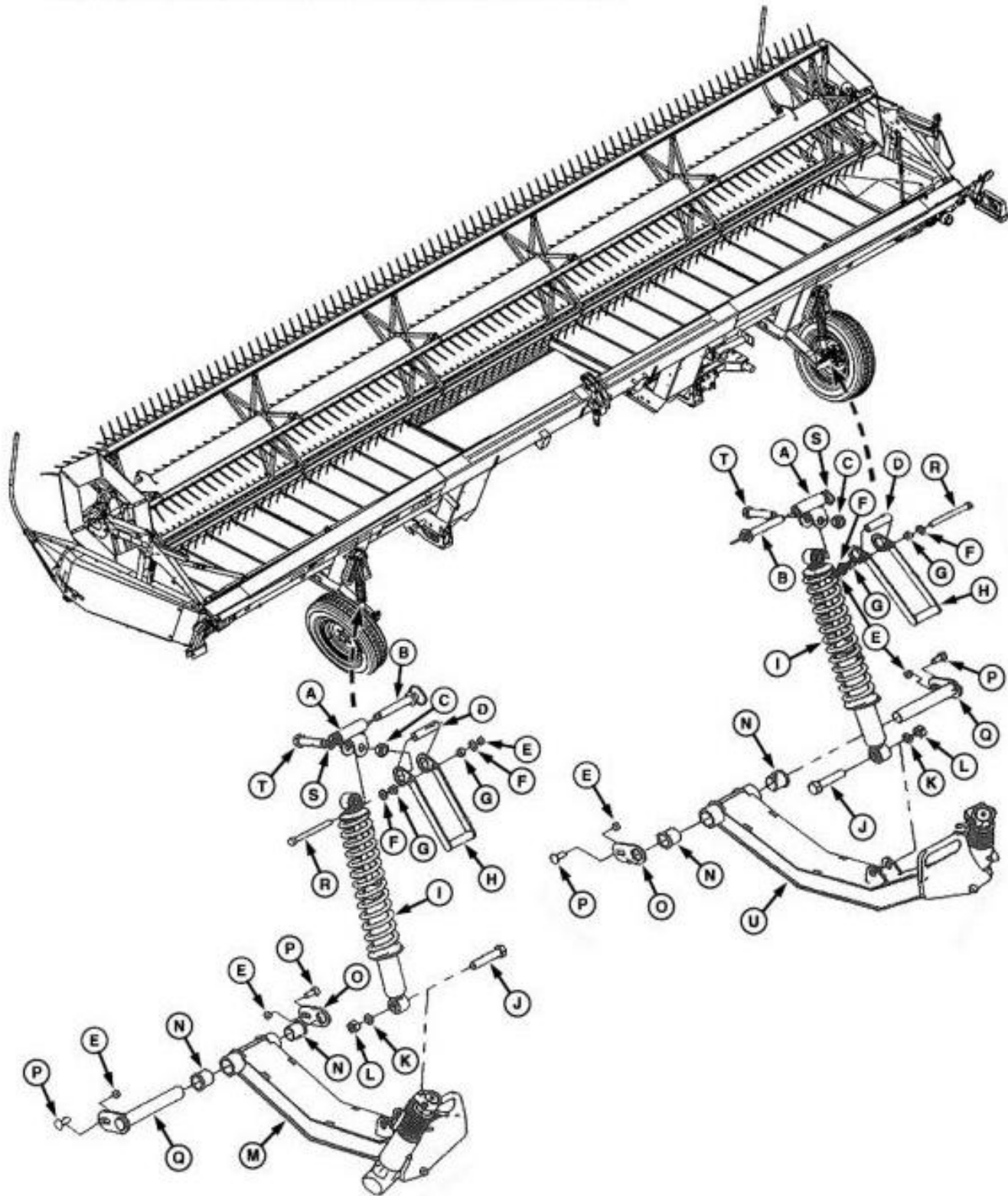


Knife Head and Cutterbar Exploded View

LEGEND:

- A Lock Nut
- B Flange Lock Nut (as required)

Gauge Wheel Suspension Exploded View



Gauge Wheel Suspension Exploded View

LEGEND:

A	Clevis (2 used)
B	Hitch Pin (2 used)
C	Lock Nuts (2 used)
D	Spacer (2 used)
E	Lock Nuts (6 used)
F	Washer (4 used)
G	Spacers (4 used)
H	Wheel Handle (2 used)



Thank you very much
for your reading.
Please click here
to get more information.