

John Deere 525, 530, 535, 730, 735 Mower Conditioners Service Repair Technical Manual (TM2324)

525, 530, 535, 730, 735
Mower Conditioners -
Repair



REPAIR TECHNICAL MANUAL

Mower Conditioners models 525, 530, 535, 730, 735

TM2324 09 SEP 10 (ENGLISH)



John Deere Agriculture
Printed by Belgreen



Covers: 525,530,535,730,735

Type: Service Manual

Language: English

Pages: 448

Format: PDF

Features: Bookmarked, searchable, printable

Compatibility: Windows/Mac/Tablet/Mobile

This service manual contains important information for the maintenance, troubleshooting and servicing of the **John Deere 525, 530, 535, 730, 735 Mower Conditioners Service Repair Technical Manual (TM2324)**

In this manual you will find detailed specifications, illustrations, schematics, diagrams and step-by-step procedures to properly service and diagnose the machine to the manufacturer's standards.

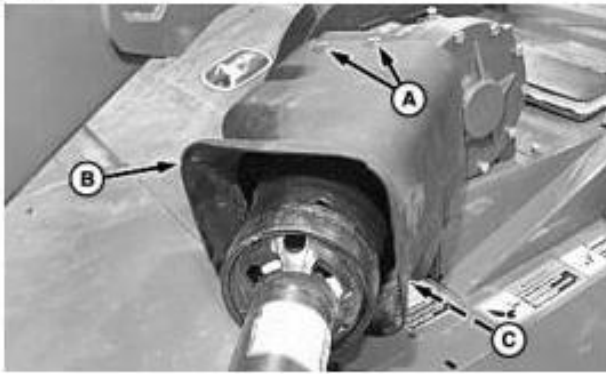
Contents:

- General Information
- Specifications
- Serial Number Location
- Engine Specifications
- Engine Diagnostics
- Engine Tests and Adjustments
- Engine Repair
- Power Train
- Transmission
- Axles
- Differential
- PTO
- Hydraulic System
- Electrical System
- Electrical Tests and Diagnostics
- Wiring Diagram / Schematic
- Ignition and Charging
- Steering
- Brakes
- Wheels
- Operator's Platform
- Body Panels
- Disassembly and Assembly
- Diagnostics, Tests and Adjustments
- Troubleshooting
- and much more...

Please note this manual is in **downloadable PDF format only**. If you have any questions about this product or would like to request sample pages, please contact us and reference the product name or SKU.

Repair PTO Driveline Hub—Slip Clutch Type—500 Series

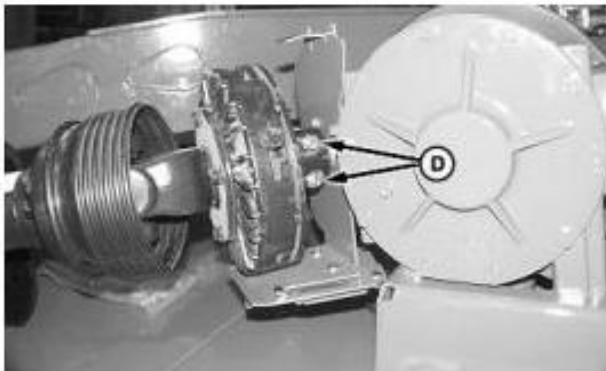
[1] -



LEGEND:

A	Tab (2 used)
B	Shield
C	Clip
D	Cap Screw (2 used)

Shield

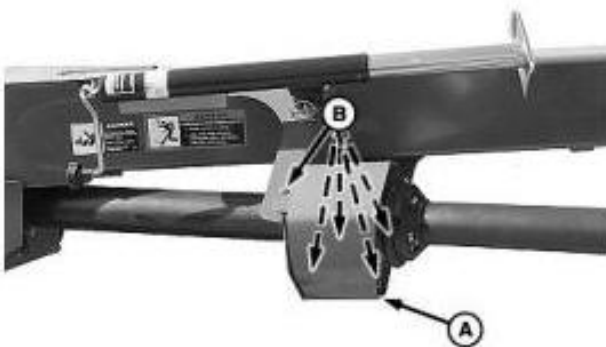


Cap Screws

Push up on clip (C), raise rear of shield (B) far enough to clear tabs (A) and slide shield forward over drive shaft.

[2] - Remove cap screws (D) from drive shaft. Do not disconnect drive shaft from gear case at this time.

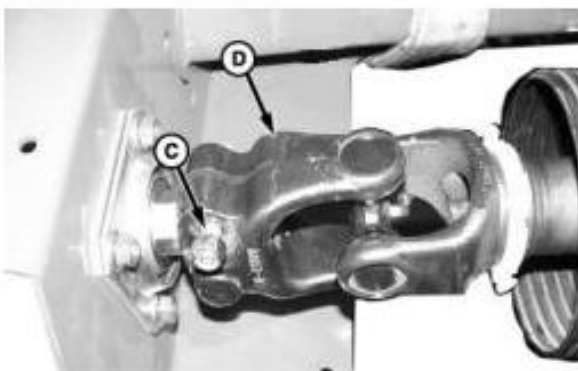
[3] -



LEGEND:

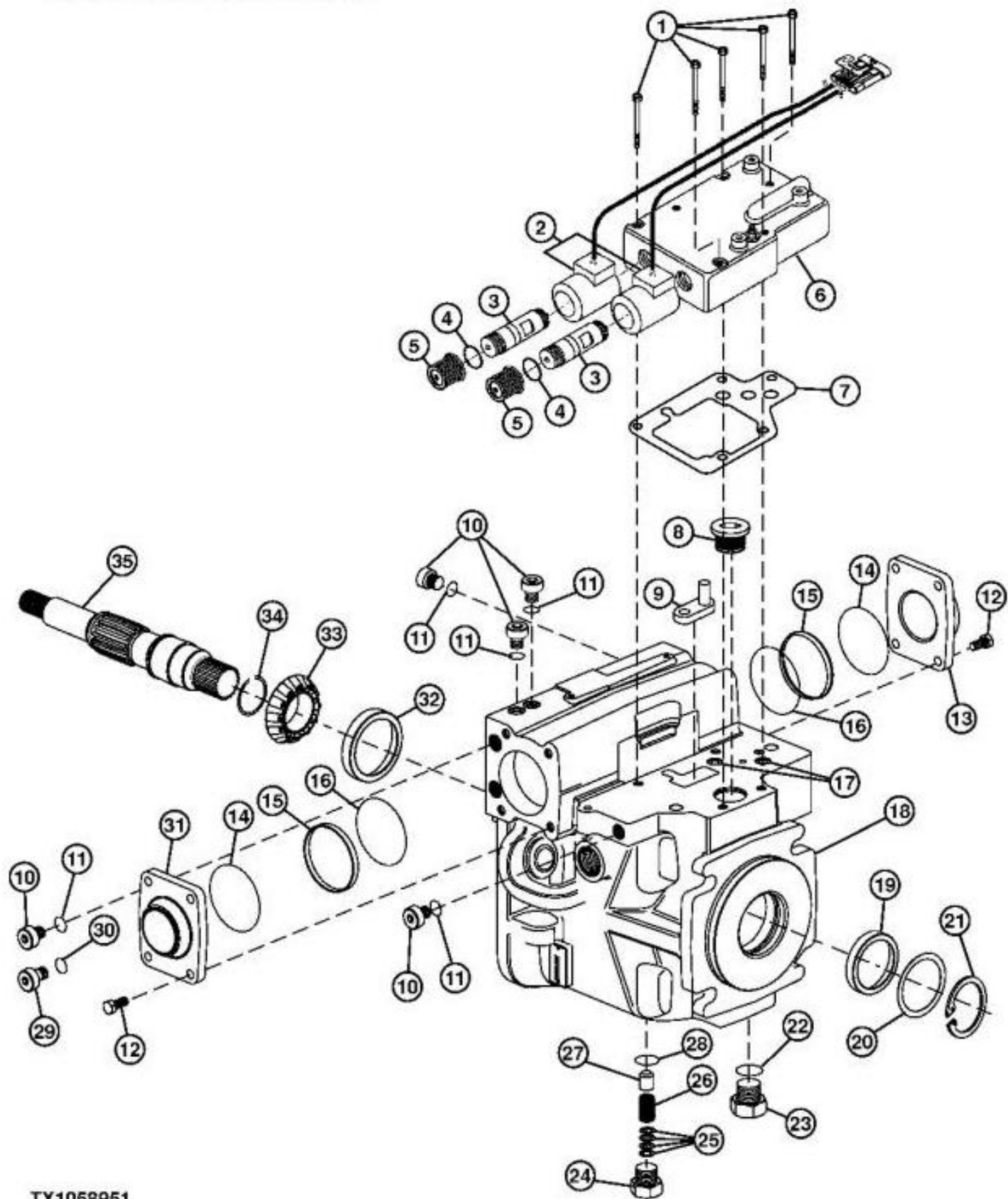
A	Shield
B	Round Head Bolt (5 used)
C	Cap Screw and Lock Nut
D	Drive Shaft

Shield



Drive Shaft

6WD Pump Disassemble



TX1058951

6WD Pump Housing Assembly

LEGEND:

- 1 Control Valve-to-Pump Housing Cap Screw (5 used)
- 2 Solenoid Coil (2 used)
- 3 Solenoid Tube (2 used)
- 4 O-Ring (2 used)



Thank you very much
for your reading.
Please click here
to get more information.