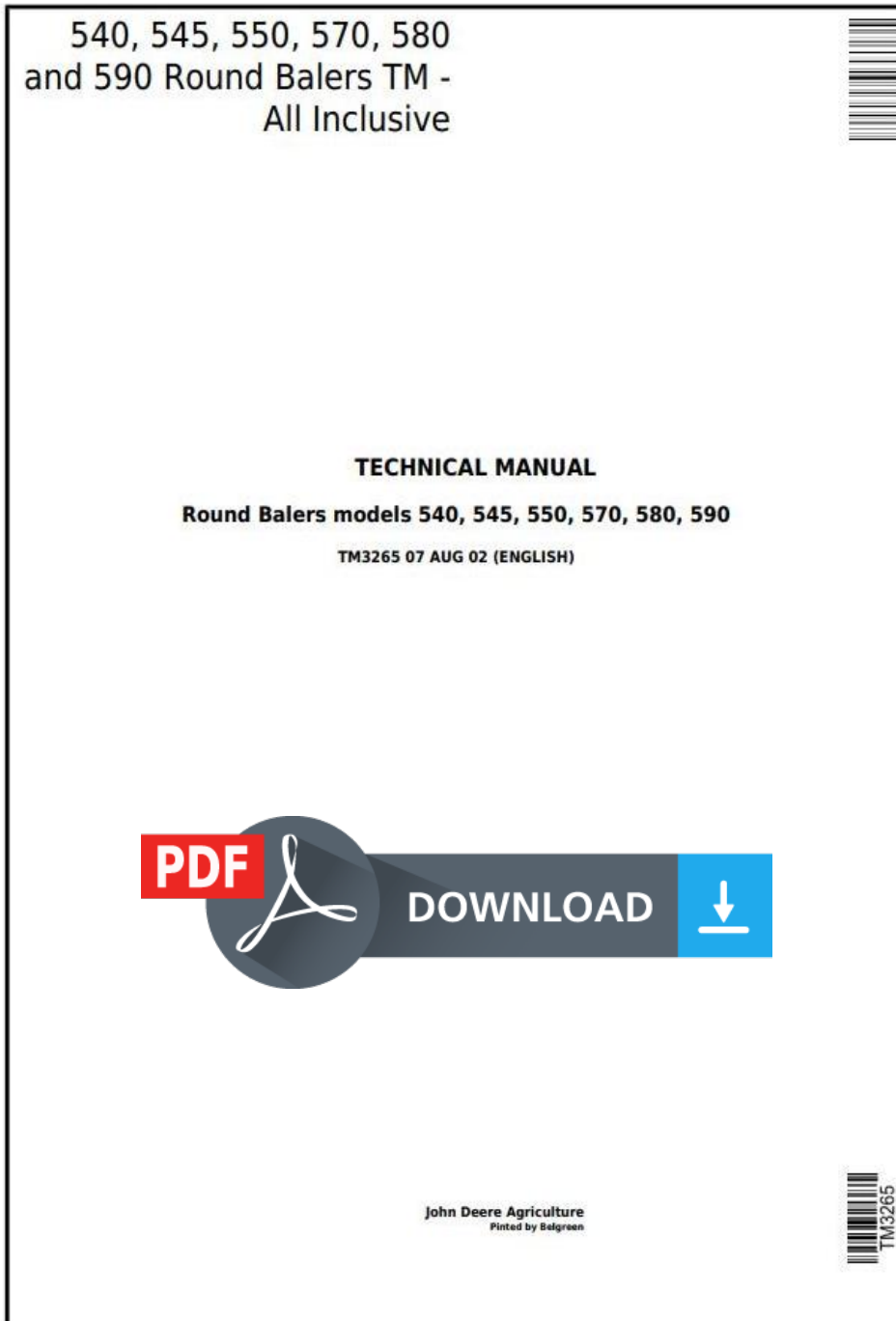


John Deere 540, 545, 550, 570, 580, 590 Hay & Forage Round Balers All Inclusive Technical Manual (tm3265)



Covers: 540,545,550,570,580,590

Type: Service Manual

Language: English

Pages: 860

Format: PDF

Features: Bookmarked, searchable, printable

Compatibility: Windows/Mac/Tablet/Mobile

This service manual contains important information for the maintenance, troubleshooting and servicing of the **John Deere 540, 545, 550, 570, 580, 590 Hay& Forage Round Balers All Inclusive Technical Manual (tm3265)**

In this manual you will find detailed specifications, illustrations, schematics, diagrams and step-by-step procedures to properly service and diagnose the machine to the manufacturer's standards.

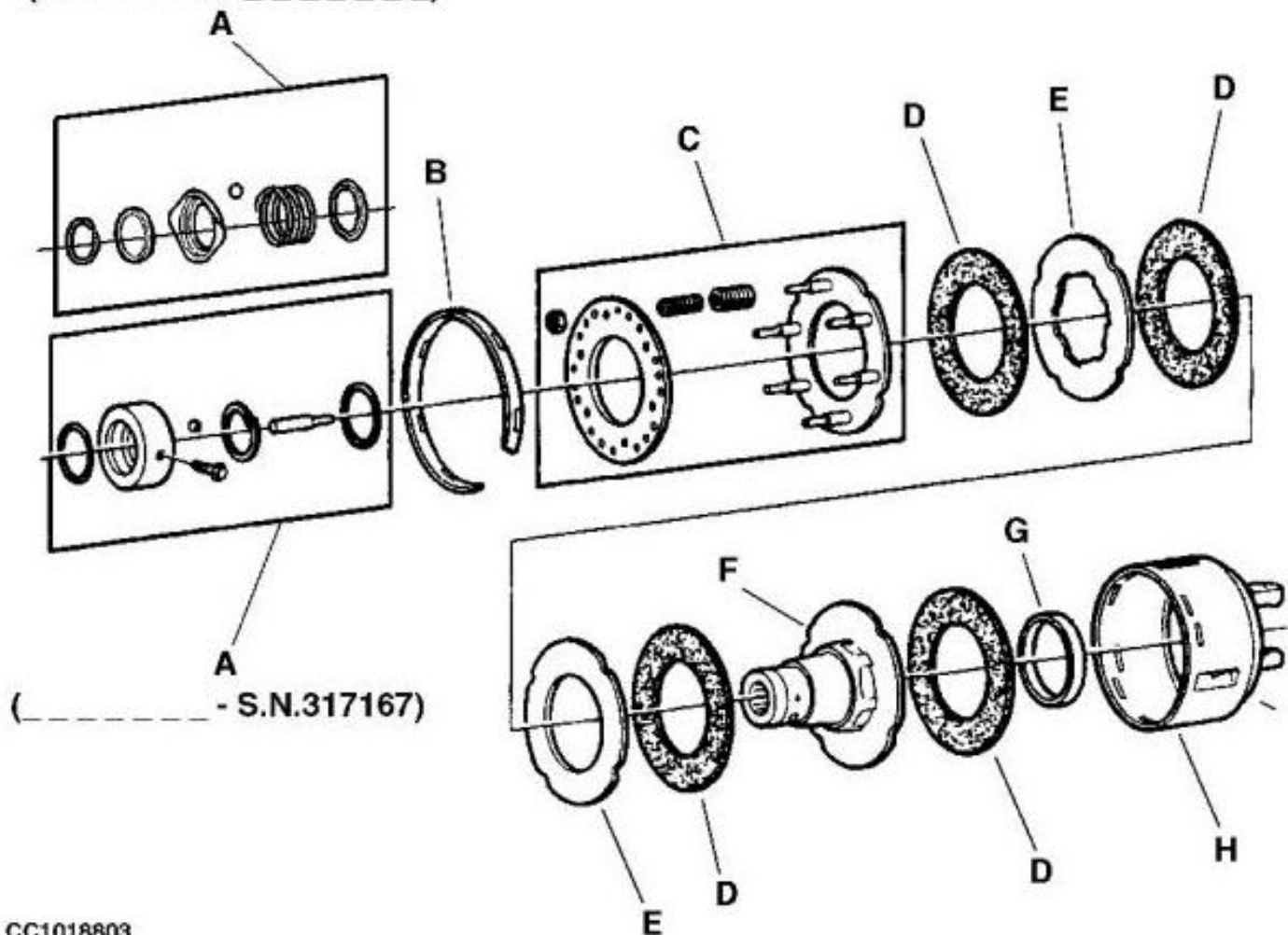
Contents:

- General Information
- Specifications
- Serial Number Location
- Engine Specifications
- Engine Diagnostics
- Engine Tests and Adjustments
- Engine Repair
- Power Train
- Transmission
- Axles
- Differential
- PTO
- Hydraulic System
- Electrical System
- Electrical Tests and Diagnostics
- Wiring Diagram / Schematic
- Ignition and Charging
- Steering
- Brakes
- Wheels
- Operator's Platform
- Body Panels
- Disassembly and Assembly
- Diagnostics, Tests and Adjustments
- Troubleshooting
- and much more...

Please note this manual is in **downloadable PDF format only**. If you have any questions about this product or would like to request sample pages, please contact us and reference the product name or SKU.

Exploded View of Walterscheid Slip Clutch

(S.N.317168 - _____)



(_____ - S.N.317167)

CC1018803

Walterscheid Slip Clutch-Exploded View

LEGEND:

- A Latch
- B Setting ring
- C Spring assembly
- D Lining
- E Drive disk
- F Hub
- G Bushing
- H Case

Assembling Slip Clutch



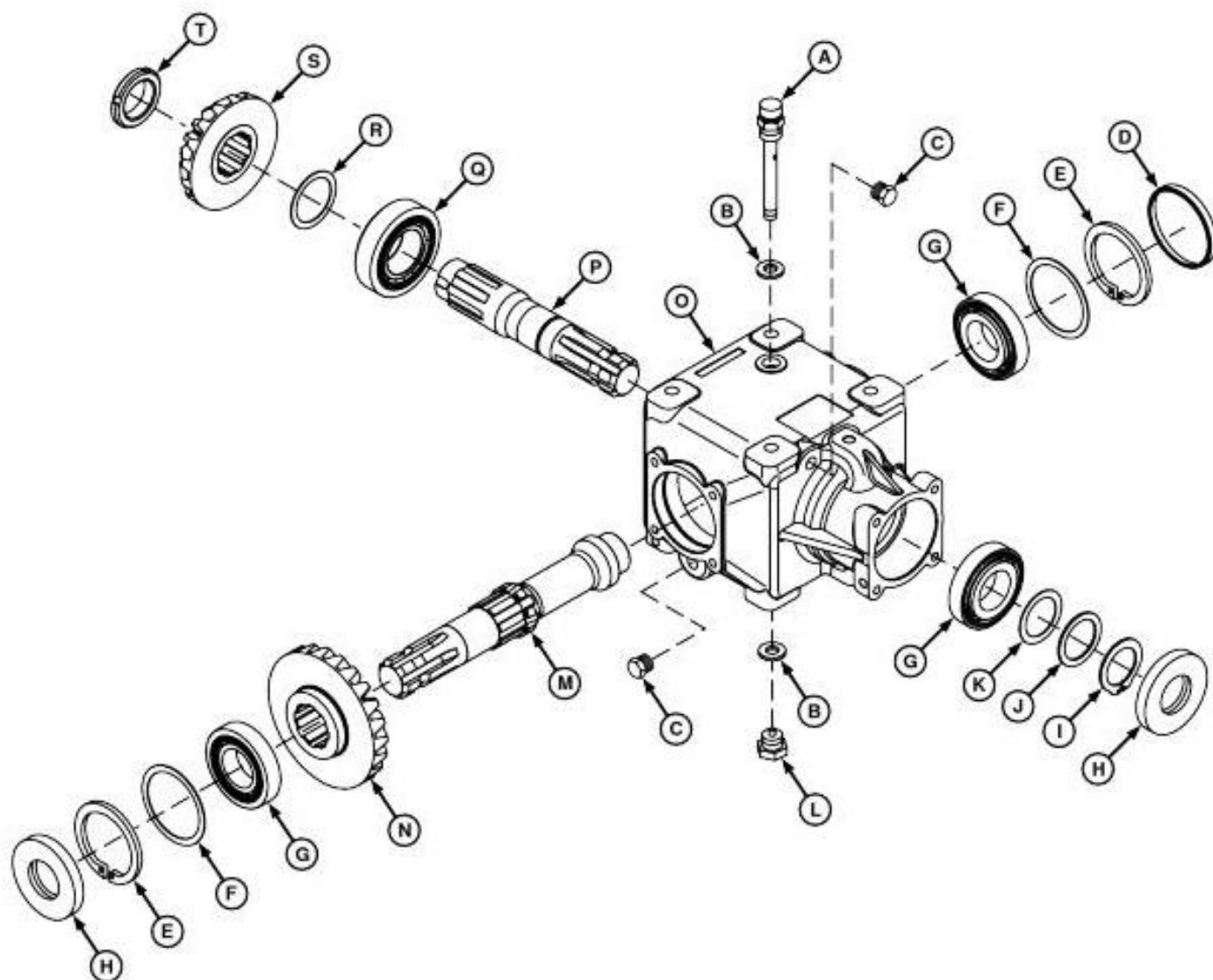
CC7990

LEGEND:

- A Plate
- B Plate
- C Linings
- D Hub

Install Plates and Linings

Inspect Comer Gear Case



Comer Gear Case Parts Listing

LEGEND:

A	Dipstick
B	Copper Washer
C	Pipe Plug
D	Cap
E	Snap Ring
F	Shim



Thank you very much
for your reading.
Please click here
to get more information.