

John Deere 624K 4WD Loader (SN.E642635-658064) w.Engine 6068HDW78 Service Repair Manual (TM12103)

624K 4WD Loader (SN.
E642635-658064) with
Engine 6068HDW78 (iT4)



REPAIR TECHNICAL MANUAL

4WD Loaders models 624K w. Engine 6068HDW78 (iT4) (PIN:
1DW624KZ**E642635-658064)

TM12103 22 FEB 16 (ENGLISH)

For complete service information also see:

624K 4WD Loader (SN. 642635-658064) with Engine 6068HDW78 (iT4)

TM12101

JDLink (MTG) Technical Manual

TM114519

TM1V1200 - 1400 Series Inboard Plan

CTM442

120 Series Hydraul

CTM120519

120 Series Hydraul

125 Series Hydraulic Cylinders

6068 PowerTech OEM Diesel
(4/Stage III B platform)



DOWNLOAD



John Deere Construction and Forestry
Printed by Belgreen



TM12103

Covers: 624K,1DW624KZ**E642635-658064)

Type: Service Manual

Language: English

Pages: 573

Format: PDF

Features: Bookmarked, searchable, printable

Compatibility: Windows/Mac/Tablet/Mobile

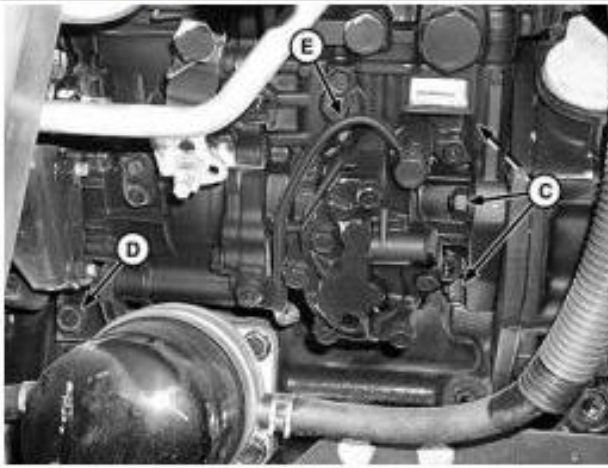
This service manual contains important information for the maintenance, troubleshooting and servicing of the **John Deere 624K 4WD Loader (SN.E642635-658064) w.Engine 6068HDW78 Service Repair Manual (TM12103)**

In this manual you will find detailed specifications, illustrations, schematics, diagrams and step-by-step procedures to properly service and diagnose the machine to the manufacturer's standards.

Contents:

- General Information
- Specifications
- Serial Number Location
- Engine Specifications
- Engine Diagnostics
- Engine Tests and Adjustments
- Engine Repair
- Power Train
- Transmission
- Axles
- Differential
- PTO
- Hydraulic System
- Electrical System
- Electrical Tests and Diagnostics
- Wiring Diagram / Schematic
- Ignition and Charging
- Steering
- Brakes
- Wheels
- Operator's Platform
- Body Panels
- Disassembly and Assembly
- Diagnostics, Tests and Adjustments
- Troubleshooting
- and much more...

Please note this manual is in **downloadable PDF format only**. If you have any questions about this product or would like to request sample pages, please contact us and reference the product name or SKU.



Injection Pump Mounting

Align timing mark on injection pump (A) with correct mark on gear cover mounting plate (B).

[5] - Tighten three pump mounting nuts (C) to specification.

Item	Measurement	Specification
Injection Pump Mounting Nuts	Torque	26 N·m 228 lb-in.

[6] - Install cap screw (D). Tighten to specification.

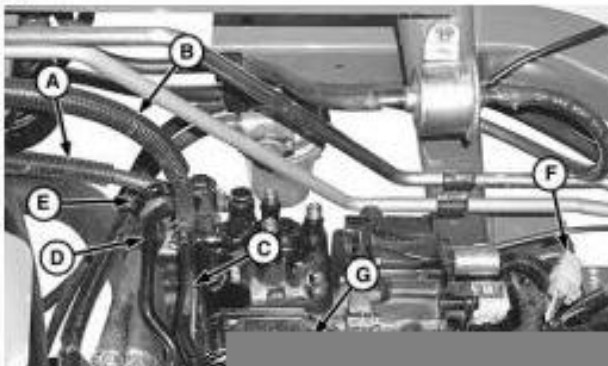
Item	Measurement	Specification
Injection Pump Mounting Cap Screw	Torque	26 N·m 228 lb-in.

[7] - Fill pump with engine oil through external lube line port until oil runs out. Install external lube line. Tighten lube line fitting (E) to specification.

Item	Measurement	Specification
Injection Pump External Lube Line Fitting	Torque	15 N·m 133 lb-in.

[8] - Install cover for injection pump timing gear.

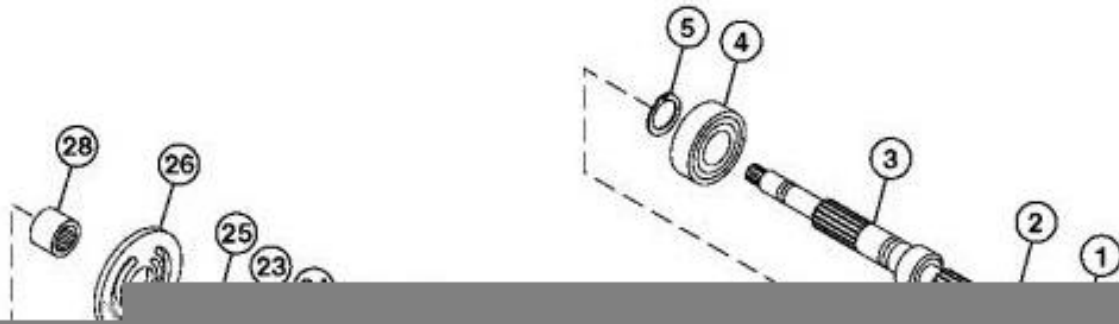
[9] -



LEGEND:

A	Fuel Inlet Line
B	Fuel Return Line
C	Injectors Return Line
D	Coolant Line
E	Coolant Line
F	Fuel Shutoff Solenoid Wire Connector
G	Foam Spacer

Hydraulic Pump Assemble





Thank you very much
for your reading.
Please click here
to get more information.