

John Deere 690E LC Excavator Service Repair Technical Manual (tm1509)

703JH, 753JH, 759JH
Tracked Harvester (SN.
—220452) Diagnostic



OPERATION AND TEST MANUAL

Track models 703JH, 753JH, 759JH (SN. before 220452)

TM10521 26 FEB 15 (ENGLISH)

For complete service information also see:

JDLINK (MTG) Technical Manual	TM114519
703JH, 753JH and 759JH (SN. -220452) Tracked Harvester Repair	TM10525
PowerTech 8.1 L Diesel Engines Base Engine	CTM86
Alternators and Starting Motors	CTM77
Pump Drive Service	CTM57
PowerTech 9.0L O... Base Engine Repair	
PowerTech 6090 Diesel Engine High Pressure Common Rail	
Super Caddy Oil Cleanup Procedure	CTM516
PowerTech 8.1L Diesel Engines Level... Fuel System With Denso High Pressure Common Rail	CTM255
120 Series Hydraulic Cylinders	CTM120519
120 Series Hydraulic Cylinders	CTM114319
JDLINK/ZXLINK Machine Monitoring System	CTM10006

PDF



DOWNLOAD



John Deere Construction and Forestry
Printed by Belgreen



TM10521

Type: Service Manual

Language: English

Pages: 758

Format: PDF

Features: Bookmarked, searchable, printable

Compatibility: Windows/Mac/Tablet/Mobile

This service manual contains important information for the maintenance, troubleshooting and servicing of the **John Deere 690E LC Excavator Service Repair Technical Manual (tm1509)**

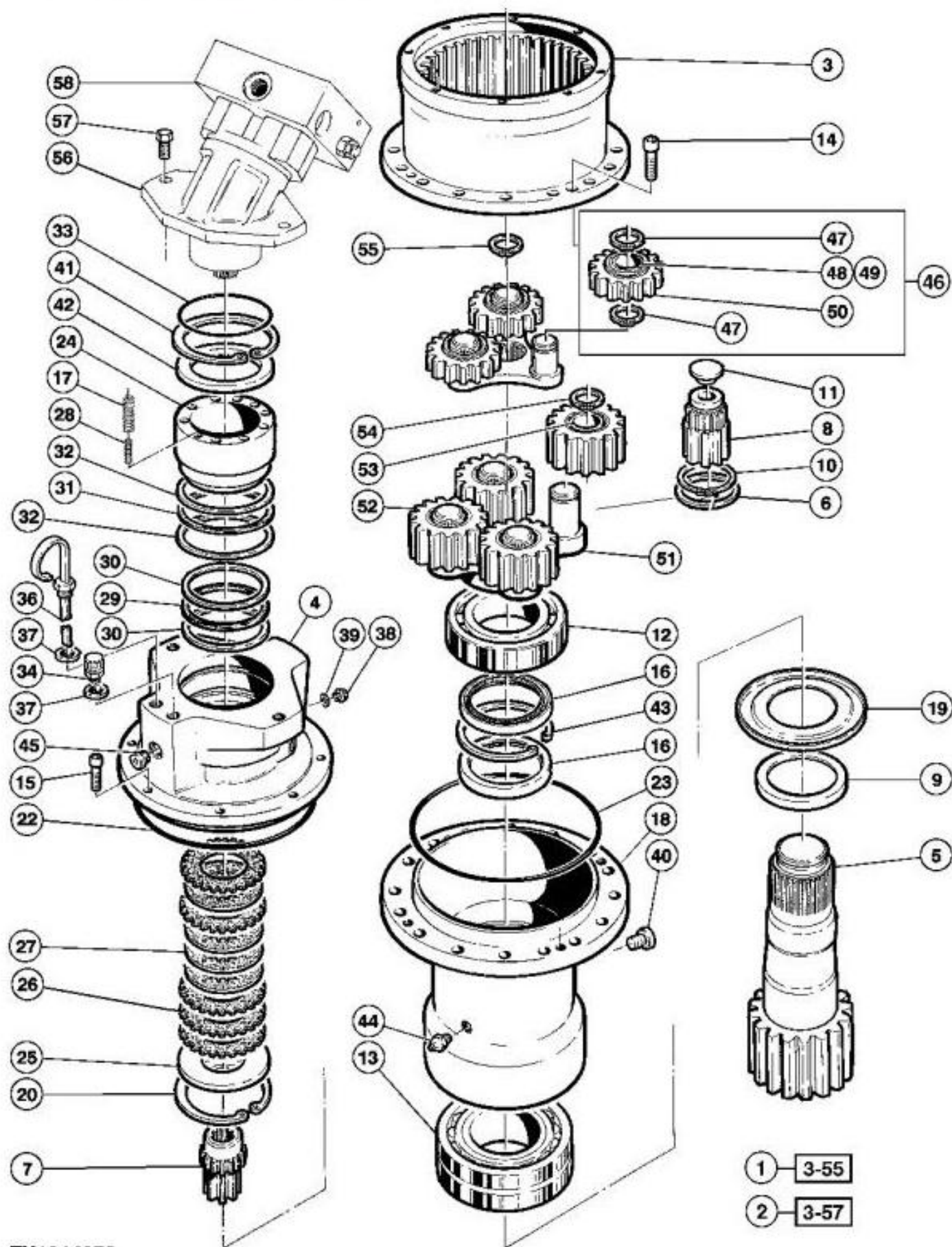
In this manual you will find detailed specifications, illustrations, schematics, diagrams and step-by-step procedures to properly service and diagnose the machine to the manufacturer's standards.

Contents:

- General Information
- Specifications
- Serial Number Location
- Engine Specifications
- Engine Diagnostics
- Engine Tests and Adjustments
- Engine Repair
- Power Train
- Transmission
- Axles
- Differential
- PTO
- Hydraulic System
- Electrical System
- Electrical Tests and Diagnostics
- Wiring Diagram / Schematic
- Ignition and Charging
- Steering
- Brakes
- Wheels
- Operator's Platform
- Body Panels
- Disassembly and Assembly
- Diagnostics, Tests and Adjustments
- Troubleshooting
- and much more...

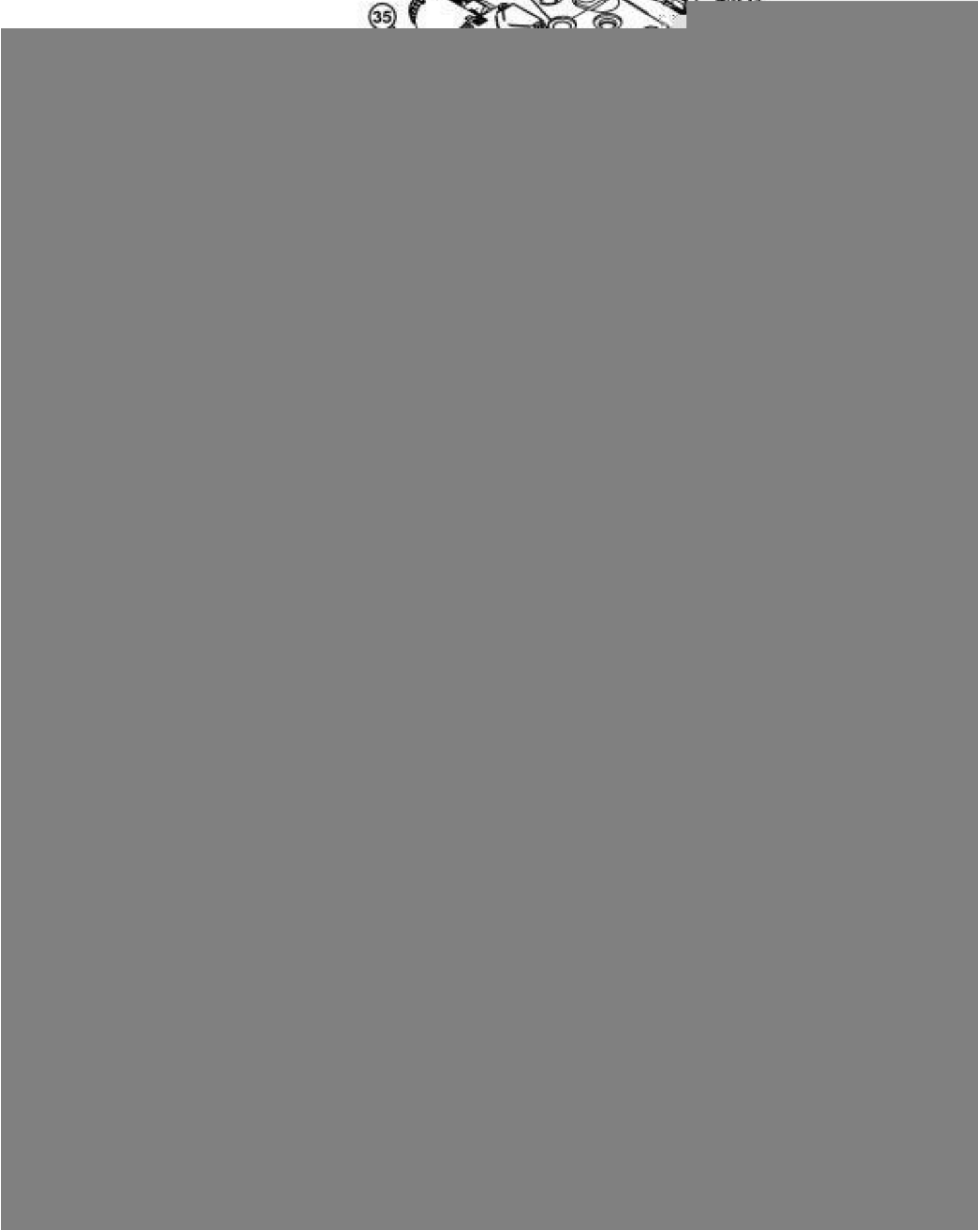
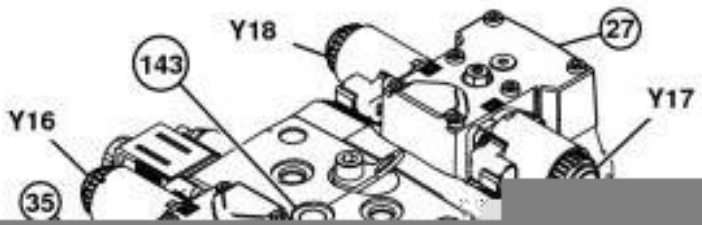
Please note this manual is in **downloadable PDF format only**. If you have any questions about this product or would like to request sample pages, please contact us and reference the product name or SKU.

Swing Gearbox Operation



TX1014876

Swing Drive Gear Box Components





Thank you very much
for your reading.
Please click here
to get more information.