

# John Deere 744H 4WD Loader and 744H MH Material Handler Service Repair Technical Manual (tm1603)

**W540, W550,  
W650, W660, T550,  
T560, T660, T670  
and C670 Combines  
(Worldwide  
Edition)**

## REPAIR TECHNICAL MANUAL

**Combines With Command Center models C670, T550, T560, T660, T670,  
W540, W550, W650, W660 (S.N. MY2008-MY2009, MY2010-MY2011,  
085500-)**

TM402619 19JUL14 (ENGLISH)

For complete service information also see:

Combines W540, W550, W650, W660, T550, T560, T660, T670, C670 - Diagnostics	TM402119
Alternators and Starting Motors	CTM77
PowerTech 9.0 L OEM Diesel Engines Base Engine Repair	CTM400
PowerTech 9.0 L Electronic Fuel System	
PowerTech Plus 4.5L and Engines Level 14 Electronic With Denso HPCR	
PowerTech 4.5L & 6.8L Diesel Engines Tier 1/Stage I, Tier 2/Stage II, Tier 3/Stage IIIA, Tier 3/Stage IIA Tier 3/Stage III, (Base Engine)	CTM104

PDF



DOWNLOAD



John Deere Agriculture

Covers: 744H,744H

**Type:** Service Manual

**Language:** English

**Pages:** 640

**Format:** PDF

**Features:** Bookmarked, searchable, printable

**Compatibility:** Windows/Mac/Tablet/Mobile

This service manual contains important information for the maintenance, troubleshooting and servicing of the **John Deere 744H 4WD Loader and 744H MH Material Handler Service Repair Technical Manual (tm1603)**

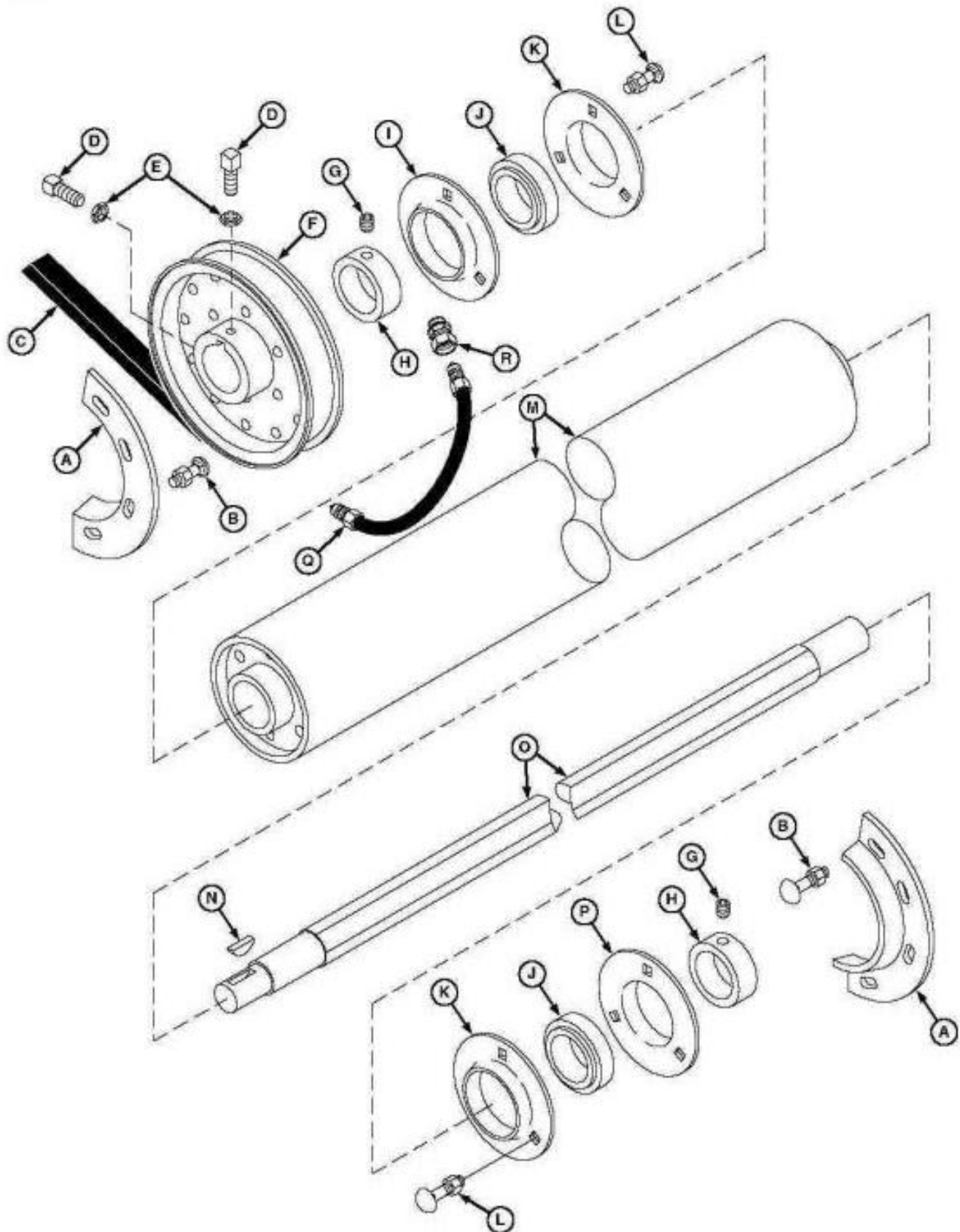
In this manual you will find detailed specifications, illustrations, schematics, diagrams and step-by-step procedures to properly service and diagnose the machine to the manufacturer's standards.

**Contents:**

- General Information
- Specifications
- Serial Number Location
- Engine Specifications
- Engine Diagnostics
- Engine Tests and Adjustments
- Engine Repair
- Power Train
- Transmission
- Axles
- Differential
- PTO
- Hydraulic System
- Electrical System
- Electrical Tests and Diagnostics
- Wiring Diagram / Schematic
- Ignition and Charging
- Steering
- Brakes
- Wheels
- Operator's Platform
- Body Panels
- Disassembly and Assembly
- Diagnostics, Tests and Adjustments
- Troubleshooting
- and much more...

Please note this manual is in **downloadable PDF format only**. If you have any questions about this product or would like to request sample pages, please contact us and reference the product name or SKU.

# Beater

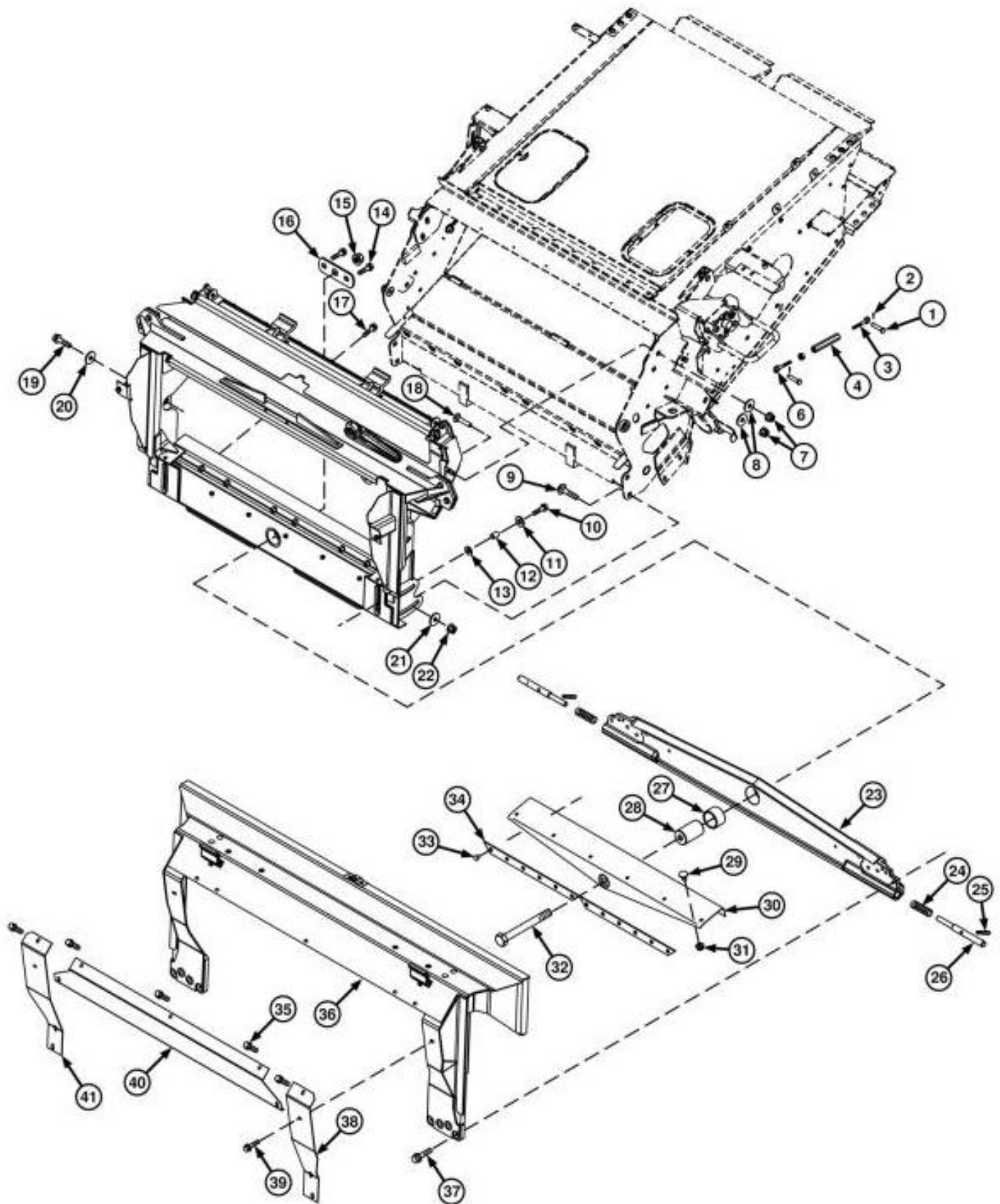


## Beater, Exploded View

### LEGEND:

- |   |                |
|---|----------------|
| A | Seal (2 used)  |
| B | Screw (3 used) |
| C | Belt           |

## Tilt Beam and Closure Plates, Location



**Tilt Beam and Closure Plates,  
Location**

**LEGEND:**



Thank you very much  
for your reading.  
Please click here  
to get more information.