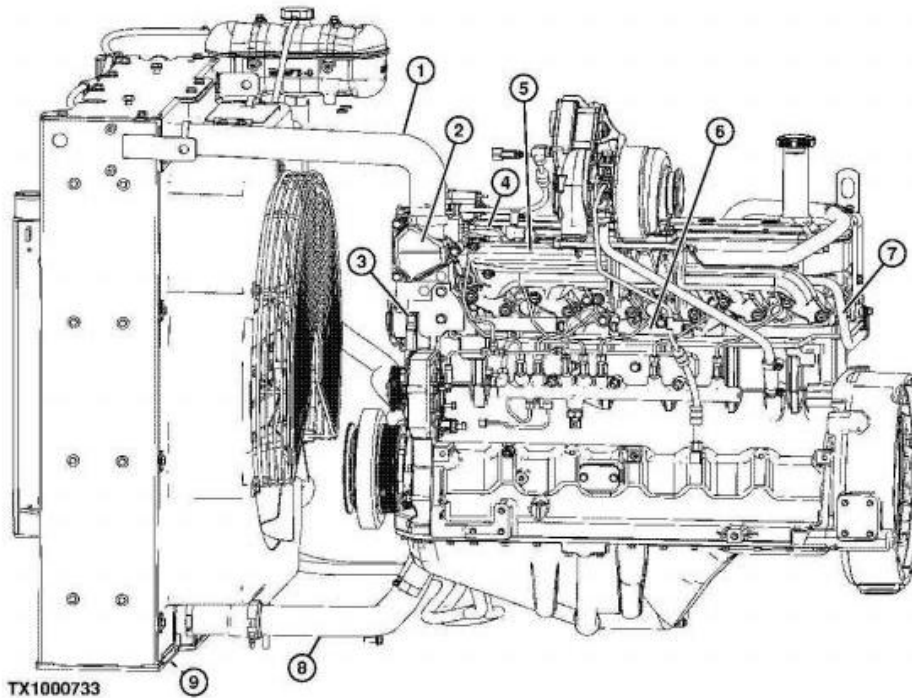


John Deere 8100, 8200, 8300, 8400, 8500, 8600, 8700, 8800 Forage Harvesters Diagnostic Manual (TM407019)

Section 9010 - ENGINE

Group 05: Theory of Operation

Engine Cooling System Component Location



Engine Left Side

LEGEND:

- 1 Upper Radiator
- 2 Thermostat
- 3 Engine
- 4 Exhaust Gas Recirculation (EGR) Cooler
- 5 EGR Cooler
- 6 Coolant Manifold
- 7 EGR Coolant Supply
- 8 Lower Radiator Hose
- 9 Radiator Drain Valve

PDF  **DOWNLOAD** 

Covers: 8100,8200,8300,8400,8500,8600,8700,8800

Type: Service Manual

Language: English

Pages: 4492

Format: PDF

Features: Bookmarked, searchable, printable

Compatibility: Windows/Mac/Tablet/Mobile

This service manual contains important information for the maintenance, troubleshooting and servicing of the **John Deere 8100, 8200, 8300, 8400, 8500, 8600, 8700, 8800 Forage Harvesters Diagnostic Manual (TM407019)**

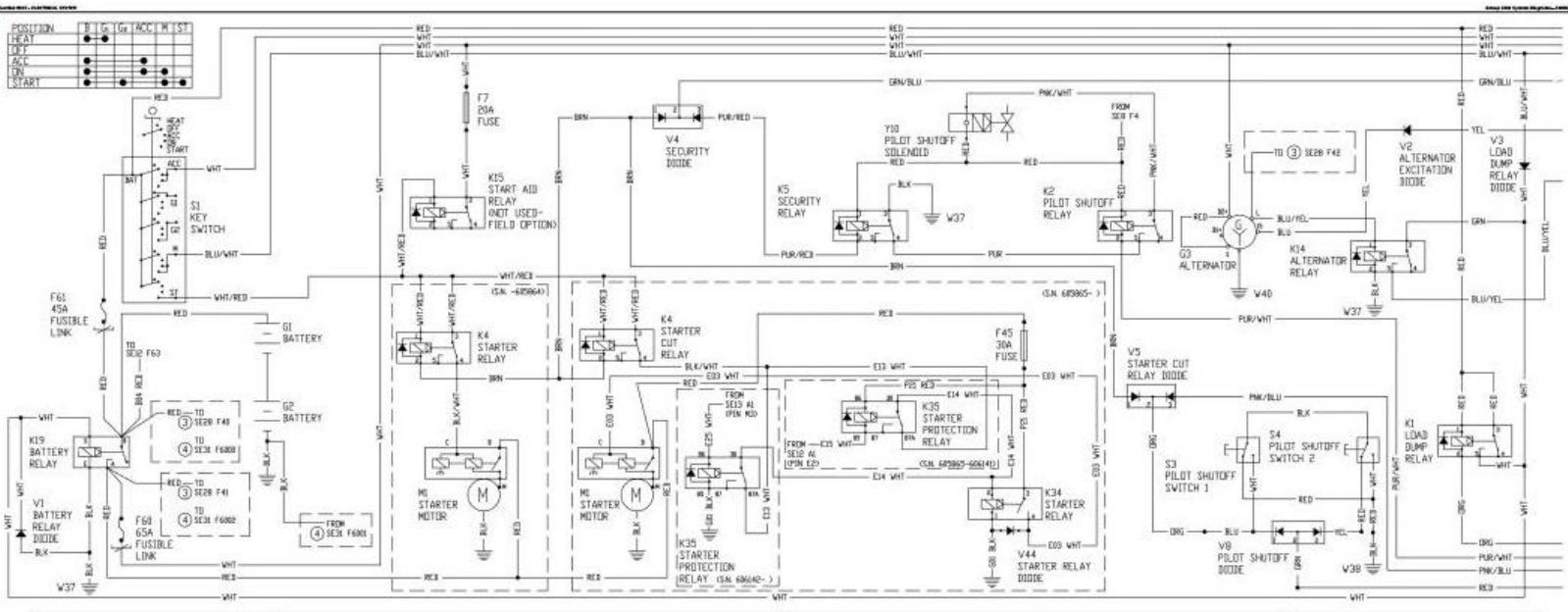
In this manual you will find detailed specifications, illustrations, schematics, diagrams and step-by-step procedures to properly service and diagnose the machine to the manufacturer's standards.

Contents:

- General Information
- Specifications
- Serial Number Location
- Engine Specifications
- Engine Diagnostics
- Engine Tests and Adjustments
- Engine Repair
- Power Train
- Transmission
- Axles
- Differential
- PTO
- Hydraulic System
- Electrical System
- Electrical Tests and Diagnostics
- Wiring Diagram / Schematic
- Ignition and Charging
- Steering
- Brakes
- Wheels
- Operator's Platform
- Body Panels
- Disassembly and Assembly
- Diagnostics, Tests and Adjustments
- Troubleshooting
- and much more...

Please note this manual is in **downloadable PDF format only**. If you have any questions about this product or would like to request sample pages, please contact us and reference the product name or SKU.

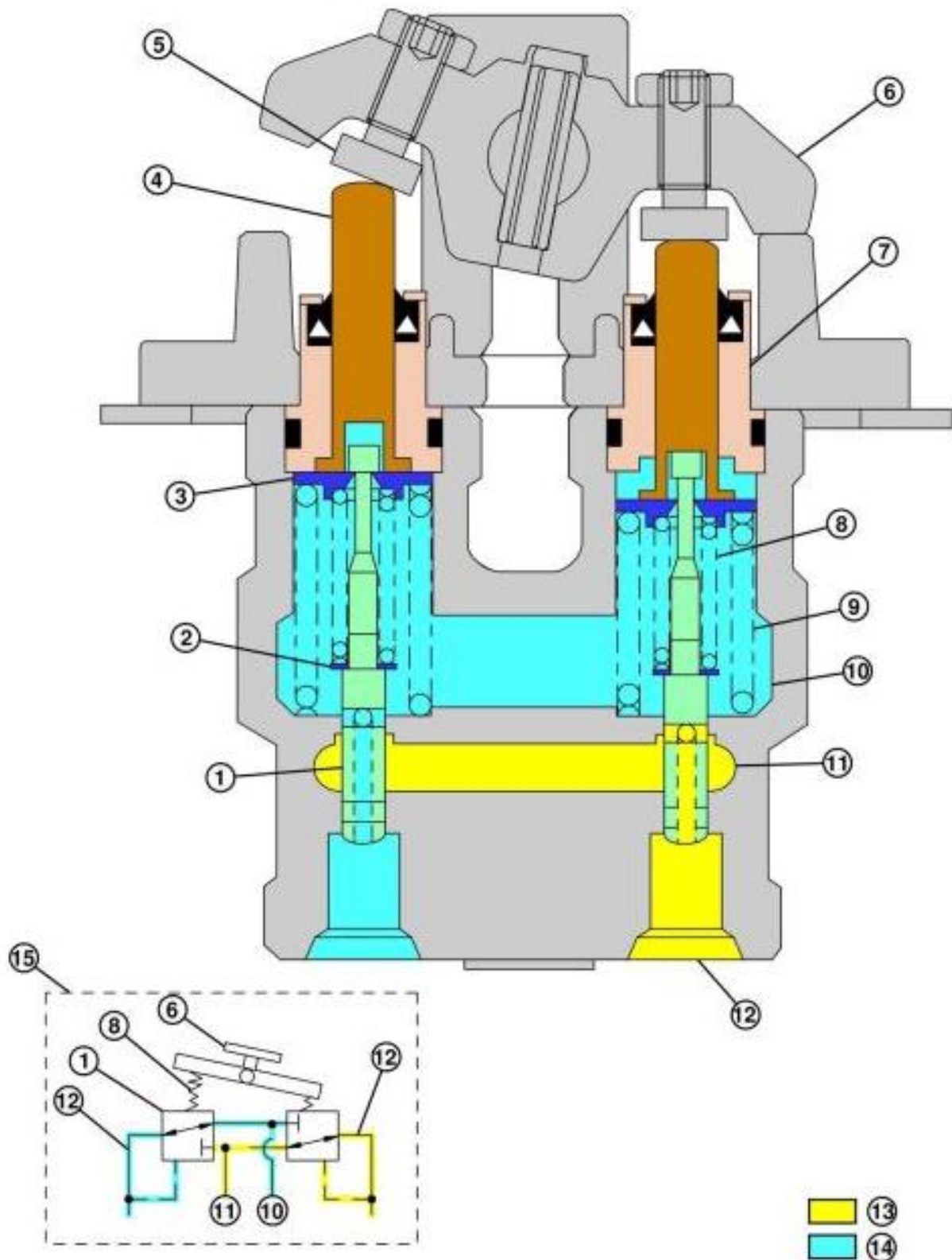
POSITION	B	G	ACC	M	ST
HEAT	●	●	●	●	●
DEF	●	●	●	●	●
ACC	●	●	●	●	●
EN	●	●	●	●	●
START	●	●	●	●	●



TX1146840 SE1 SE2 SE3 CONTINUE NEXT PAGE
 240DC SYSTEM FUNCTIONAL SCHEMATIC (1 OF 10)

System Functional Schematics (SFS) 44-2122 (1 of 10)

Travel Pilot Control Valve Operation



TX1000485

Travel Pilot Control Valve Operation

LEGEND:

- 1 Spool
- 2 Washer
- 3 Spring Guide



Thank you very much
for your reading.
Please click here
to get more information.