

# John Deere 8110T, 8210T, 8310T, 8410T Tracks Tractors Diagnosis and Tests Service Manual (tm1799)

## 8110T, 8210T, 8310T, 8410T Tractor - Operation and Tests

OPERATION AND TESTS SERVICE MANUAL 8110T,  
8210T, 8310T, 8410T (S.N. 000000-902000, 902001-)

TM1799 15JUN04 (ENGLISH)

For complete service information also see:

8110T, 8210T, 8310T, 8410T Tractors - Diagnostic tm1798

8100T, 8200T, 8300T, 8400T, 8110T, 8210T, 8310T and 8410T Tractors Repair tm1621

Series 450, 6081 Alternators and CTM86

PowerTech 6.8L and 8.1L

Diesel Engines (Level 3 E

Systems with Bosch In-Li

PDF



DOWNLOAD



John Deere Agriculture

Covers: 8110T,8210T,8310T,8410T

**Type:** Service Manual

**Language:** English

**Pages:** 1374

**Format:** PDF

**Features:** Bookmarked, searchable, printable

**Compatibility:** Windows/Mac/Tablet/Mobile

This service manual contains important information for the maintenance, troubleshooting and servicing of the **John Deere 8110T, 8210T, 8310T, 8410T Tracks Tractors Diagnosis and Tests Service Manual (tm1799)**

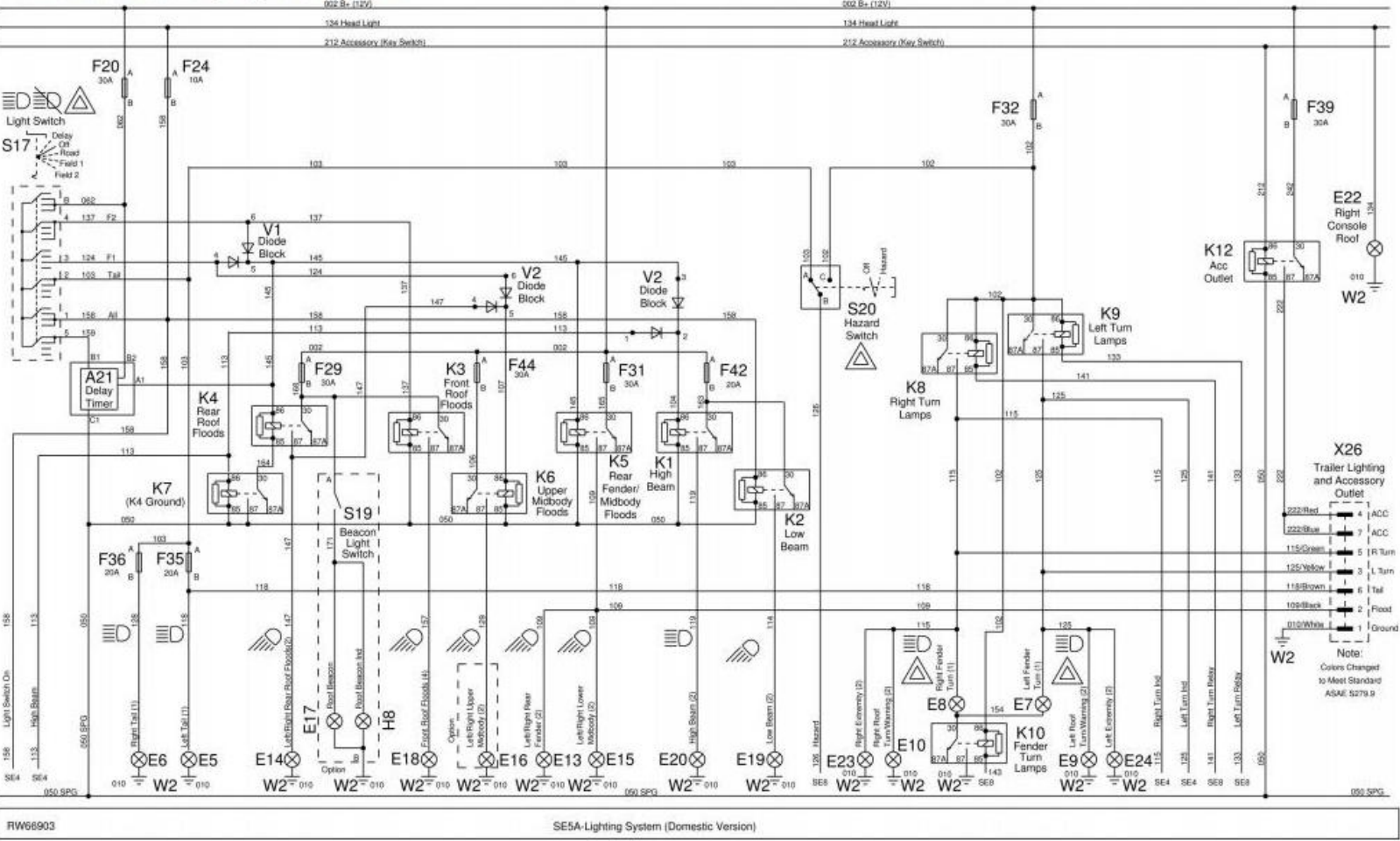
In this manual you will find detailed specifications, illustrations, schematics, diagrams and step-by-step procedures to properly service and diagnose the machine to the manufacturer's standards.

**Contents:**

- General Information
- Specifications
- Serial Number Location
- Engine Specifications
- Engine Diagnostics
- Engine Tests and Adjustments
- Engine Repair
- Power Train
- Transmission
- Axles
- Differential
- PTO
- Hydraulic System
- Electrical System
- Electrical Tests and Diagnostics
- Wiring Diagram / Schematic
- Ignition and Charging
- Steering
- Brakes
- Wheels
- Operator's Platform
- Body Panels
- Disassembly and Assembly
- Diagnostics, Tests and Adjustments
- Troubleshooting
- and much more...

Please note this manual is in **downloadable PDF format only**. If you have any questions about this product or would like to request sample pages, please contact us and reference the product name or SKU.

### Reference 240-25-001c, SE5A- Lighting System (N. A.) Schematic

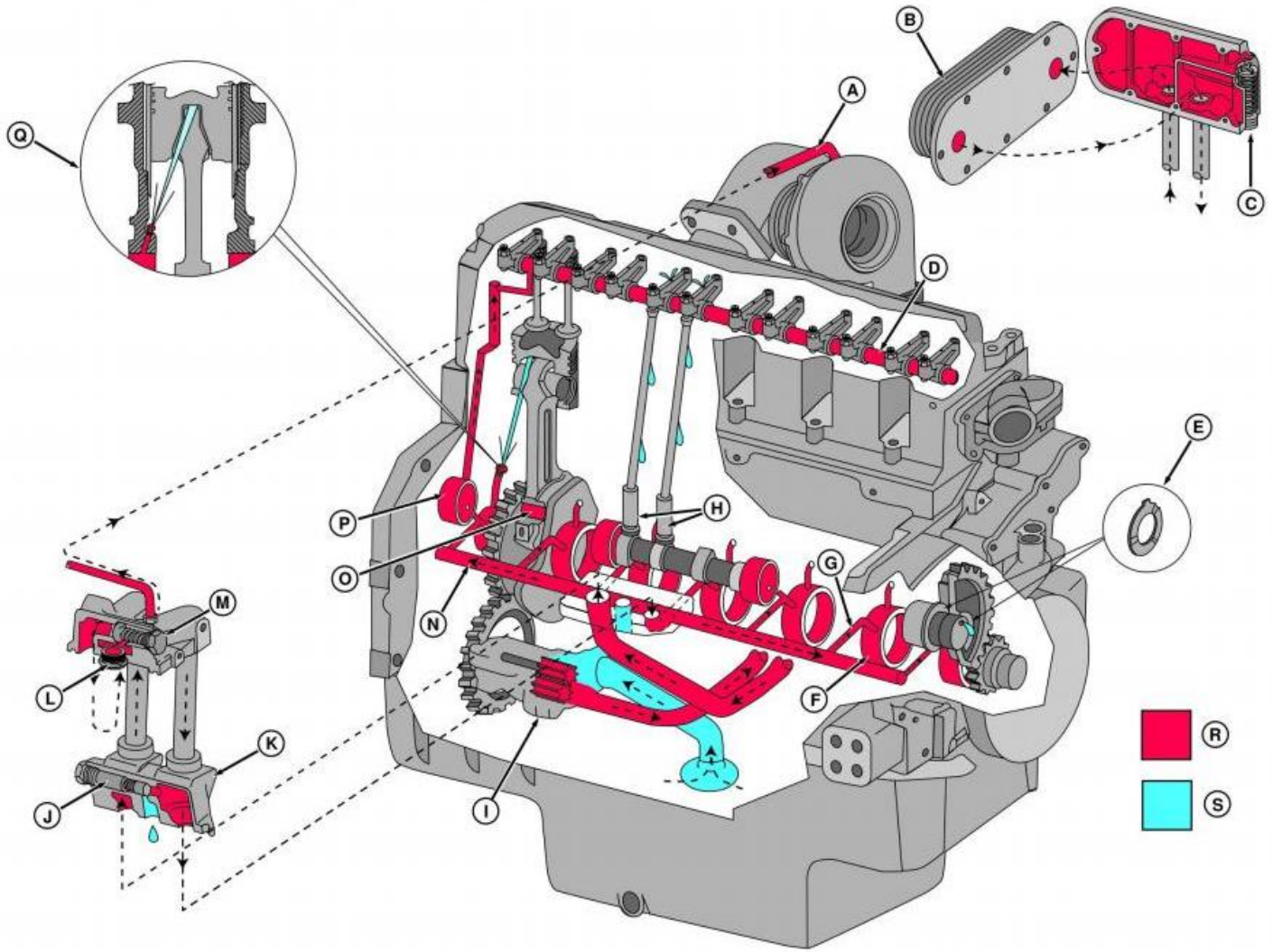


RW68903

SE5A- Lighting System (Domestic Version)

SE5A Schematic

Reference 220-20-002, Engine Lubrication System Operation (8.1L Engine)



Engine Lubrication System (8.1L)



Thank you very much  
for your reading.  
Please click here  
to get more information.