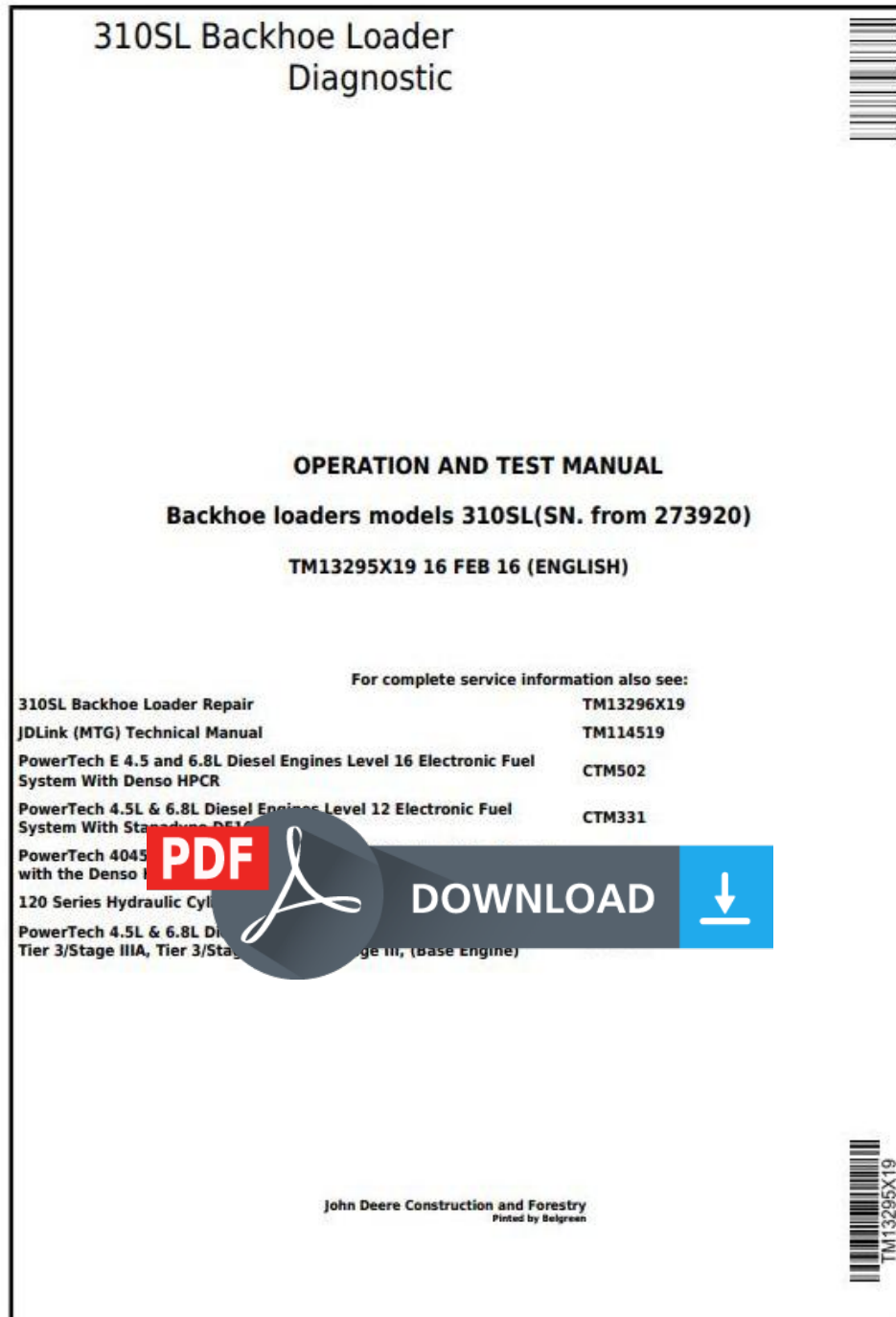


John Deere 870G, 870GP, 872G, 872GP (SN.-634753) Motor Grader Service Repair Technical Manual (TM11209)



Covers: 634753);,870G,870GP,872G,872GP

Type: Service Manual

Language: English

Pages: 572

Format: PDF

Features: Bookmarked, searchable, printable

Compatibility: Windows/Mac/Tablet/Mobile

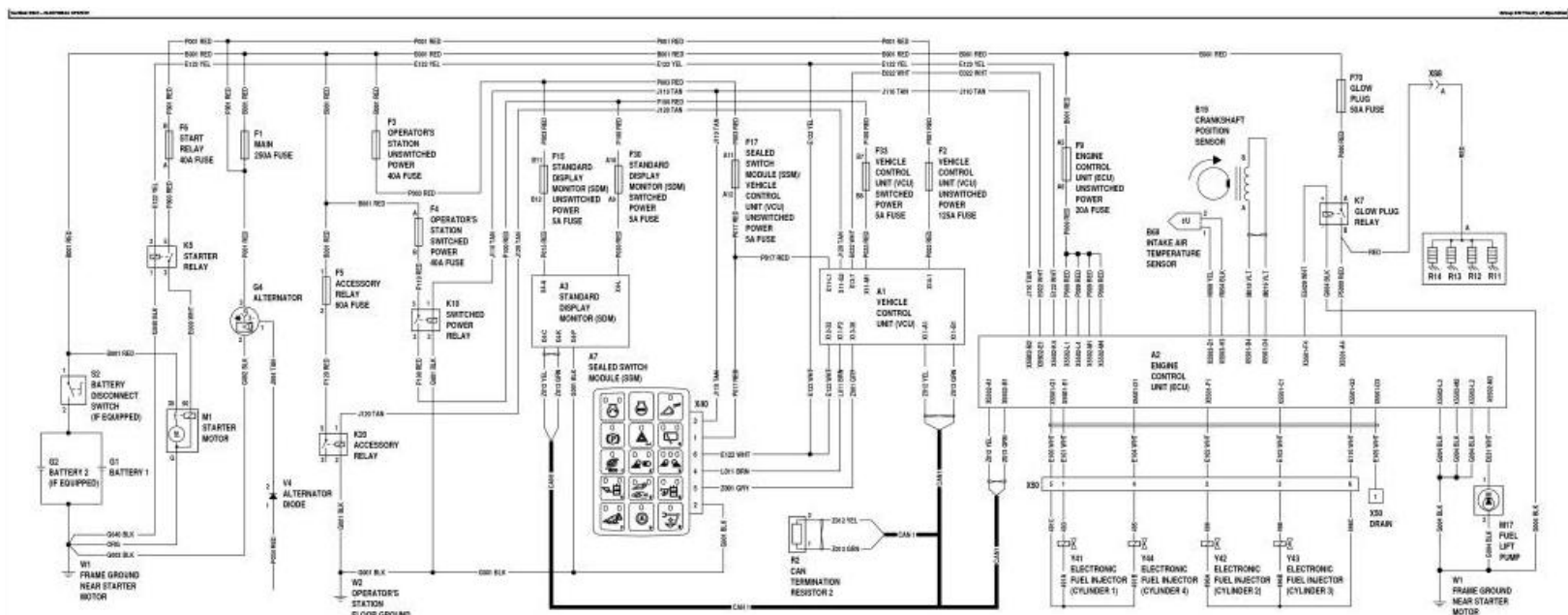
This service manual contains important information for the maintenance, troubleshooting and servicing of the **John Deere 870G, 870GP, 872G, 872GP (SN.-634753) Motor Grader Service Repair Technical Manual (TM11209)**

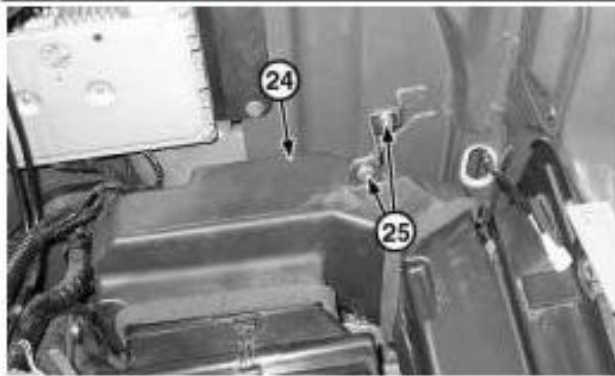
In this manual you will find detailed specifications, illustrations, schematics, diagrams and step-by-step procedures to properly service and diagnose the machine to the manufacturer's standards.

Contents:

- General Information
- Specifications
- Serial Number Location
- Engine Specifications
- Engine Diagnostics
- Engine Tests and Adjustments
- Engine Repair
- Power Train
- Transmission
- Axles
- Differential
- PTO
- Hydraulic System
- Electrical System
- Electrical Tests and Diagnostics
- Wiring Diagram / Schematic
- Ignition and Charging
- Steering
- Brakes
- Wheels
- Operator's Platform
- Body Panels
- Disassembly and Assembly
- Diagnostics, Tests and Adjustments
- Troubleshooting
- and much more...

Please note this manual is in **downloadable PDF format only**. If you have any questions about this product or would like to request sample pages, please contact us and reference the product name or SKU.

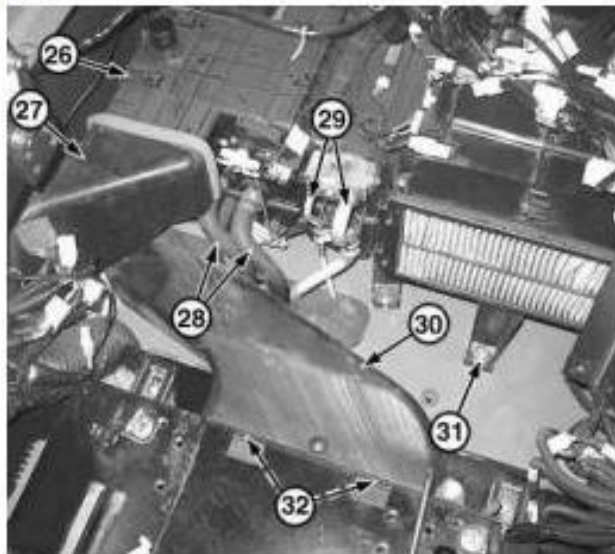


**LEGEND:**

- 24 Fresh Air Inlet Duct
- 25 Cap Screw (2 used)

Fresh Air Inlet Duct

Remove cap screws (25) and fresh air inlet duct (24).

[16] -**LEGEND:**

- 26 Heater and Evaporator Case
- 27 Air Duct
- 28 Engine Coolant Hose (2 used)
- 29 Air Conditioner Refrigerant Line (2 used)
- 30 Air Duct
- 31 Cap Screw (6 used)
- 32 Cap Screw (2 used)

Air Conditioner Component Location

Disconnect engine coolant hoses (28) from heater and evaporator case (26). Close all openings using caps and plugs.

[17] - Install identification tags and remove air conditioner refrigerant lines (29) from heater and evaporator case. Close all openings using caps and plugs.

[18] - Remove cap screws (32) and air duct (30).

[19] - Remove cap screws (31). Separate air filter from air duct and remove.

[20] - Remove heater-air conditioner.

[21] - Repair or replace parts as necessary.

[22] - Install heater-air conditioner.

[23] - Connect air duct.



Thank you very much
for your reading.
Please click here
to get more information.