

John Deere 870G, 870GP, 872G, 872GP (SN.634754-656507) Motor Grader Diagnostic Service Manual (TM12144)

210G and 210GLC Excavator Repair

REPAIR TECHNICAL MANUAL

T2/S2 models 210GLC (PIN: 1FF210GX_C520001-)

TM12539 01NOV15 (ENGLISH)

For complete service information also see:

210G and 210GLC Excavator Diagnostic TM12536

JDLink (MTG) Technical Manual TM114519

PowerTech E 4.5 and 6.8L Diesel Engines
Level 16 Electronic Fuel System With
Denso HPCR CTM502

PowerTech Plus 4.5L and 6.8L Diesel
Engines Level 14 Electronic Fuel System
With Denso HPCR CTM320

Super Caddy Oil

PowerTech 4.5L
Tier 1/Stage I, Tier 2/Stage
3/Stage IIIA, Tier 3/Stage
III, (Base Engine)

PDF



DOWNLOAD



John Deere Construction and Forestry

Covers: 634754-656507);,870G,870GP,872G,872GP

Type: Service Manual

Language: English

Pages: 1796

Format: PDF

Features: Bookmarked, searchable, printable

Compatibility: Windows/Mac/Tablet/Mobile

This service manual contains important information for the maintenance, troubleshooting and servicing of the **John Deere 870G, 870GP, 872G, 872GP (SN.634754-656507) Motor Grader Diagnostic Service Manual (TM12144)**

In this manual you will find detailed specifications, illustrations, schematics, diagrams and step-by-step procedures to properly service and diagnose the machine to the manufacturer's standards.

Contents:

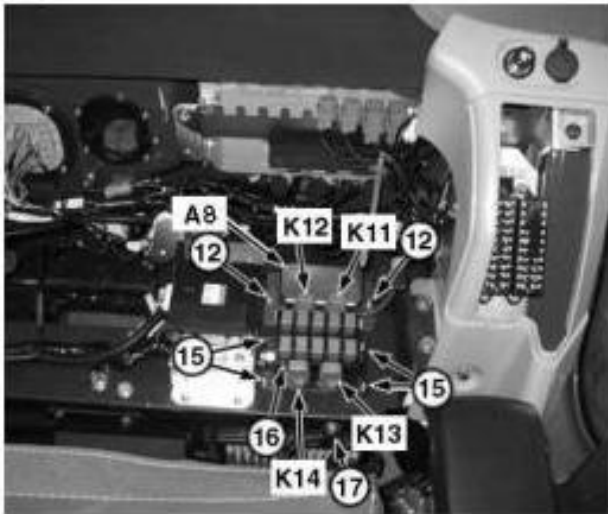
- General Information
- Specifications
- Serial Number Location
- Engine Specifications
- Engine Diagnostics
- Engine Tests and Adjustments
- Engine Repair
- Power Train
- Transmission
- Axles
- Differential
- PTO
- Hydraulic System
- Electrical System
- Electrical Tests and Diagnostics
- Wiring Diagram / Schematic
- Ignition and Charging
- Steering
- Brakes
- Wheels
- Operator's Platform
- Body Panels
- Disassembly and Assembly
- Diagnostics, Tests and Adjustments
- Troubleshooting
- and much more...

Please note this manual is in **downloadable PDF format only**. If you have any questions about this product or would like to request sample pages, please contact us and reference the product name or SKU.

[Component Location](#) and [see Monitor Harness \(W3\) Component Location](#). (Group 9015-10.)

[9] - Remove cap screws (10) to release cab wiring harness (W1).

[10] -



LEGEND:

12	Cap Screw (2 used)
15	Cap Screw (4 used)
16	Relay Block
17	Cap Screw (3 used)
A8	12-Volt Power Converter
K11	Idle Stop Relay
K12	Accessory Cut Relay
K13	Key Cut Relay
K14	ECU Power Relay

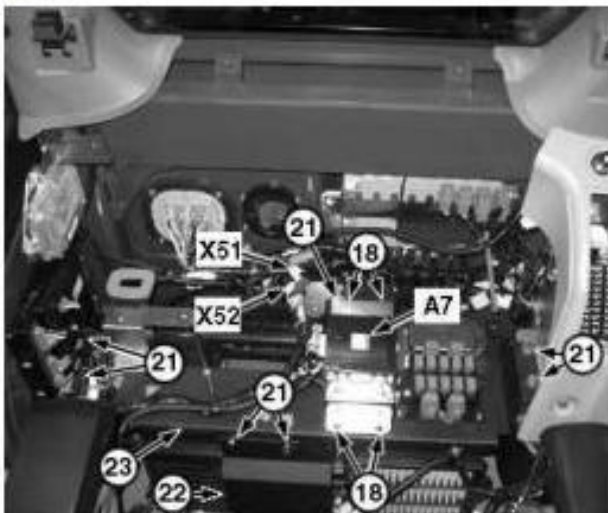
Left Side Heater and Air Conditioner Connections

Remove cap screws (12) and move 12-volt power converter (A8) to the side.

[11] - Remove cap screws (15). Lift up relay block (16) and disconnect electrical connectors (K11—K14).

[12] - Remove cap screws (17).

[13] -



LEGEND:

18	Cap Screw (4 used)
21	Cap Screw (7 used)
22	Cover
23	Panel
A7	Air Conditioner Controller (ACF)
X51	Air Conditioner 4-Pin Connector
X52	Air Conditioner 10-Pin Connector

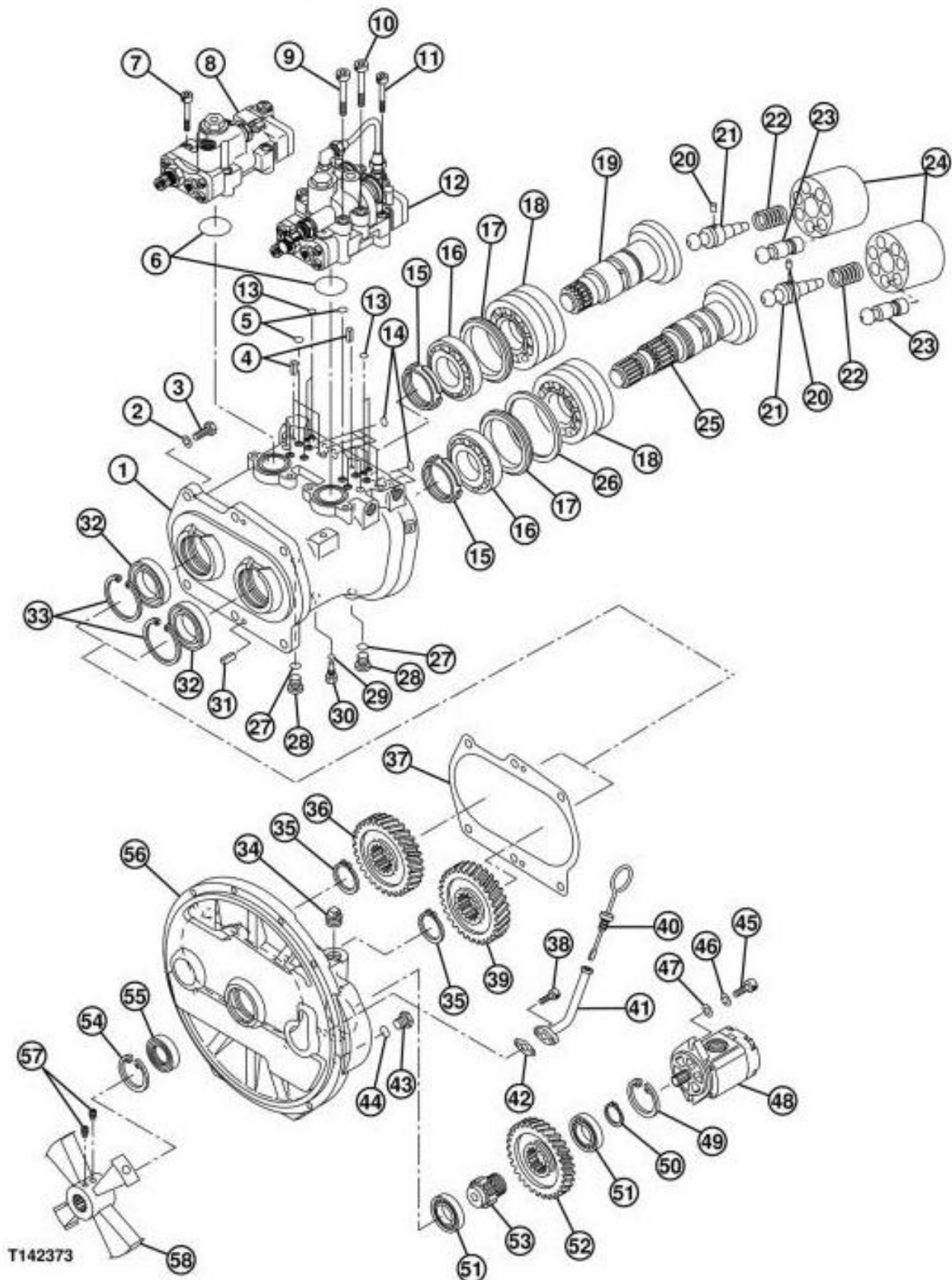
Heater and Air Conditioner Panel

Remove cap screws (18) and remove air conditioner controller (ACF) (A7).

[14] - Disconnect air conditioner 4-pin connector (X51) and air conditioner 10-pin connector (X52). [See Heater and Air Conditioner Harness \(W41\) Component Location](#). (Group 9015-10.)

[15] - Remove cap screws (21), cover (22), and panel (23).

Pump 1 and 2 Disassemble and Assemble



Hydraulic Pump and Pump Drive Gear Case (1 of 2)

LEGEND:

- 1 Pump Housing
- 2 Lock Washer (6 used)
- 3 Cap Screw (6 used)



Thank you very much
for your reading.
Please click here
to get more information.