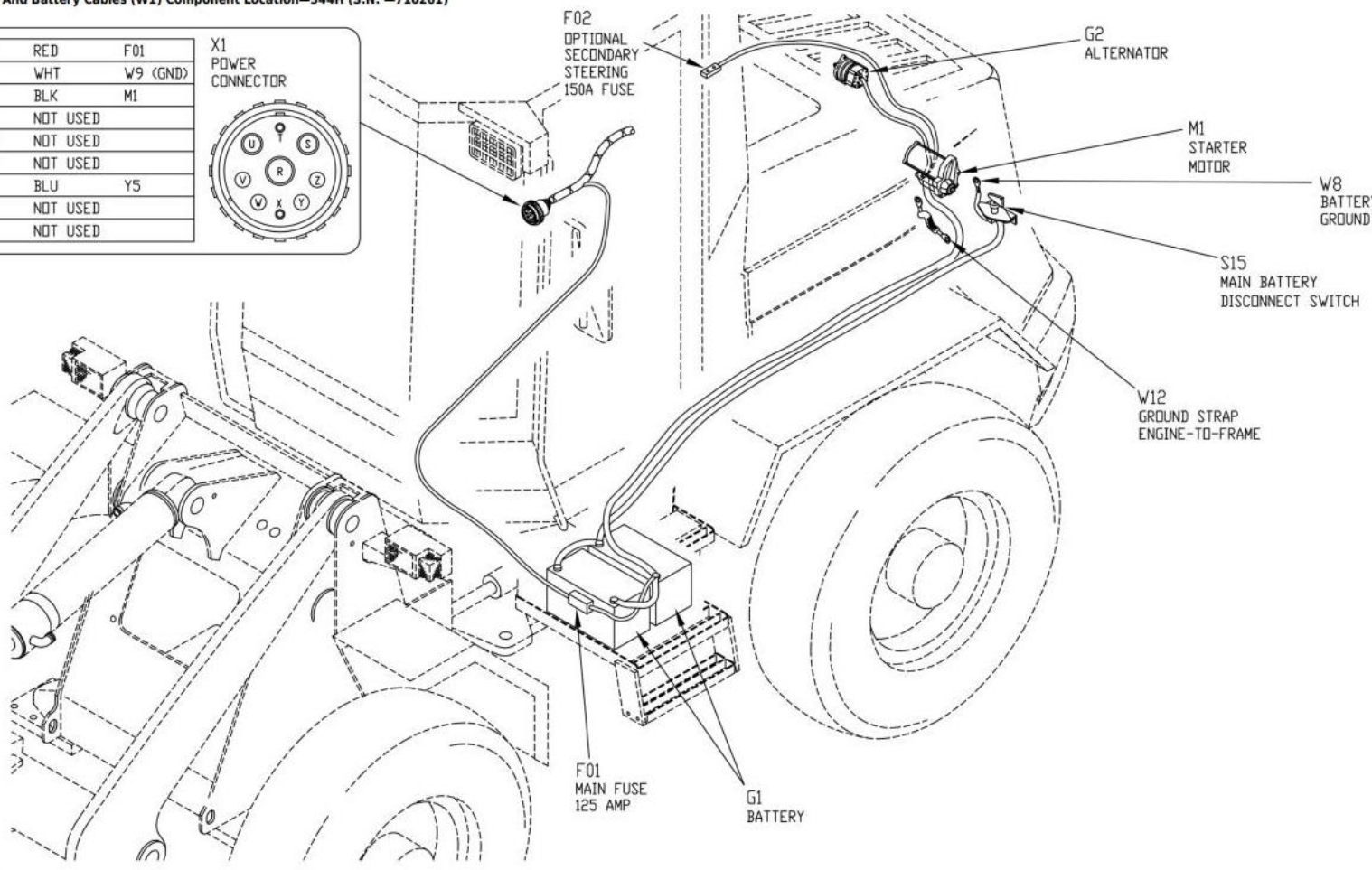
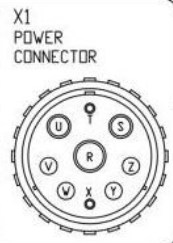


Please note this manual is in **downloadable PDF format only**. If you have any questions about this product or would like to request sample pages, please contact us and reference the product name or SKU.

Power And Battery Cables (W1) Component Location—344H (S.N. —710261)

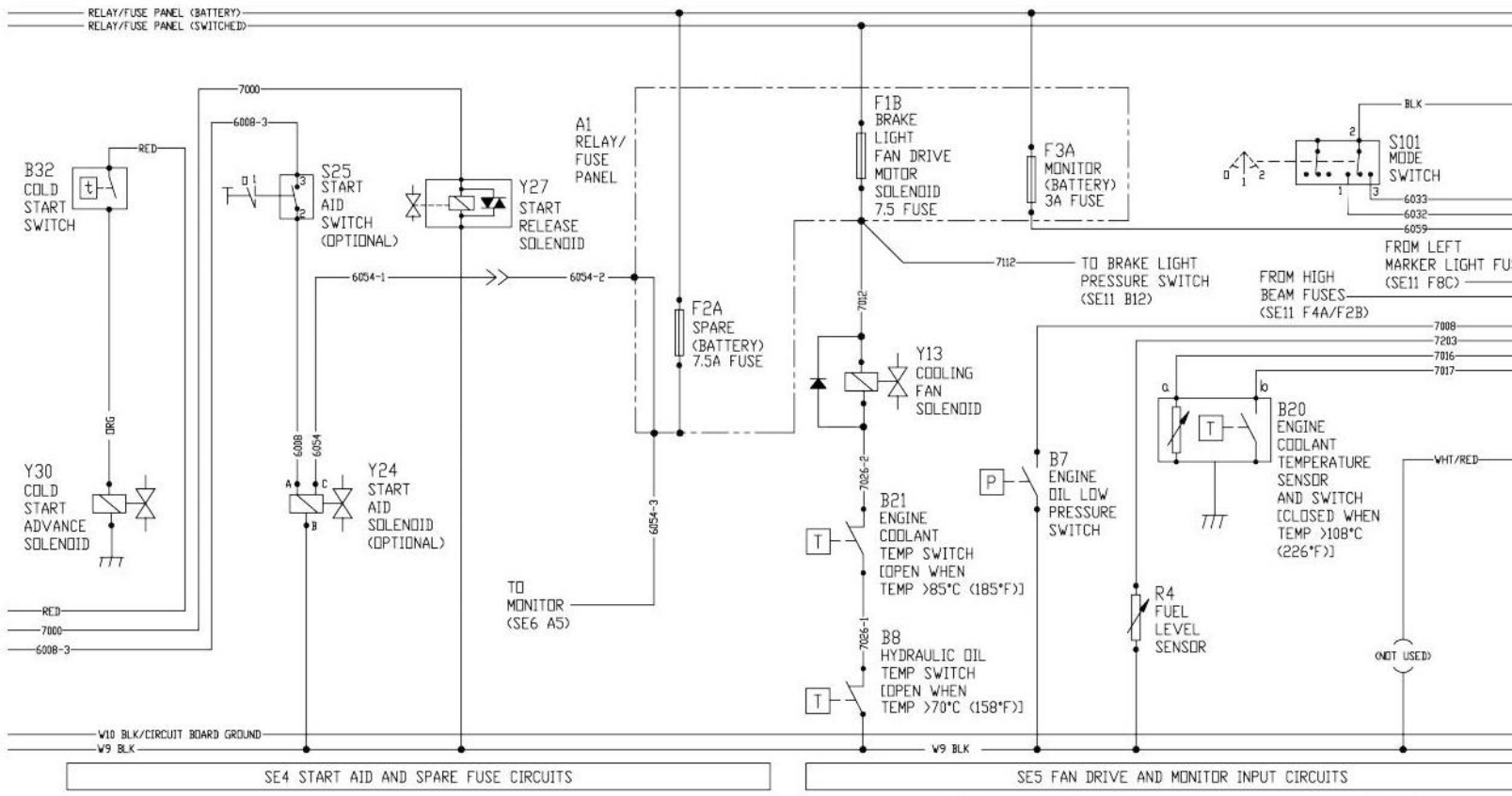
R	RED	F01
S	WHT	W9 (GND)
T	BLK	M1
U	NOT USED	
V	NOT USED	
W	NOT USED	
X	BLU	Y5
Y	NOT USED	
Z	NOT USED	



T127299

Power And Battery Cable Location

POSITION	1	2	3	
MODE (MOMENTARY)	0	●	●	MODE SWITCH
OFF	1			
CLOCK (MOMENTARY)	2	●	●	



T19S179
Start Aid and Spare Fuse Circuit (SE4), Fan Drive and Monitor Input Circuits (SE5 and SE6)

324H AND 344H SYSTEM FUNCTIONAL SCHEMATIC (2 OF 7)



Thank you very much
for your reading.
Please click here
to get more information.