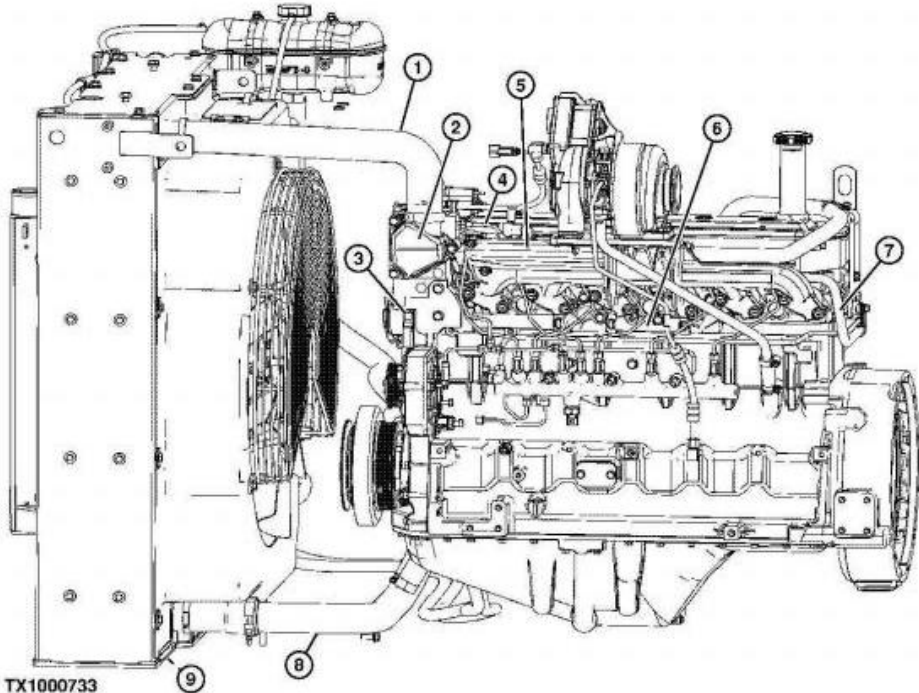


# John Deere 9300T and 9400T Tracks Tractors Diagnosis and Tests Service Manual (tm1783)

Section 9010 - ENGINE

Group 05: Theory of Operation

## Engine Cooling System Component Location



Engine Left Side

LEGEND:

- 1 Upper Radiator
- 2 Thermostat
- 3 Engine
- 4 Exhaust Gas Recirculation Valve
- 5 EGR Cooler
- 6 Coolant Manifold
- 7 EGR Coolant Supply
- 8 Lower Radiator Hose
- 9 Radiator Drain Valve

**PDF**  **DOWNLOAD** 

Covers: 9300T,9400T

**Type:** Service Manual

**Language:** English

**Pages:** 476

**Format:** PDF

**Features:** Bookmarked, searchable, printable

**Compatibility:** Windows/Mac/Tablet/Mobile

This service manual contains important information for the maintenance, troubleshooting and servicing of the **John Deere 9300T and 9400T Tracks Tractors Diagnosis and Tests Service Manual (tm1783)**

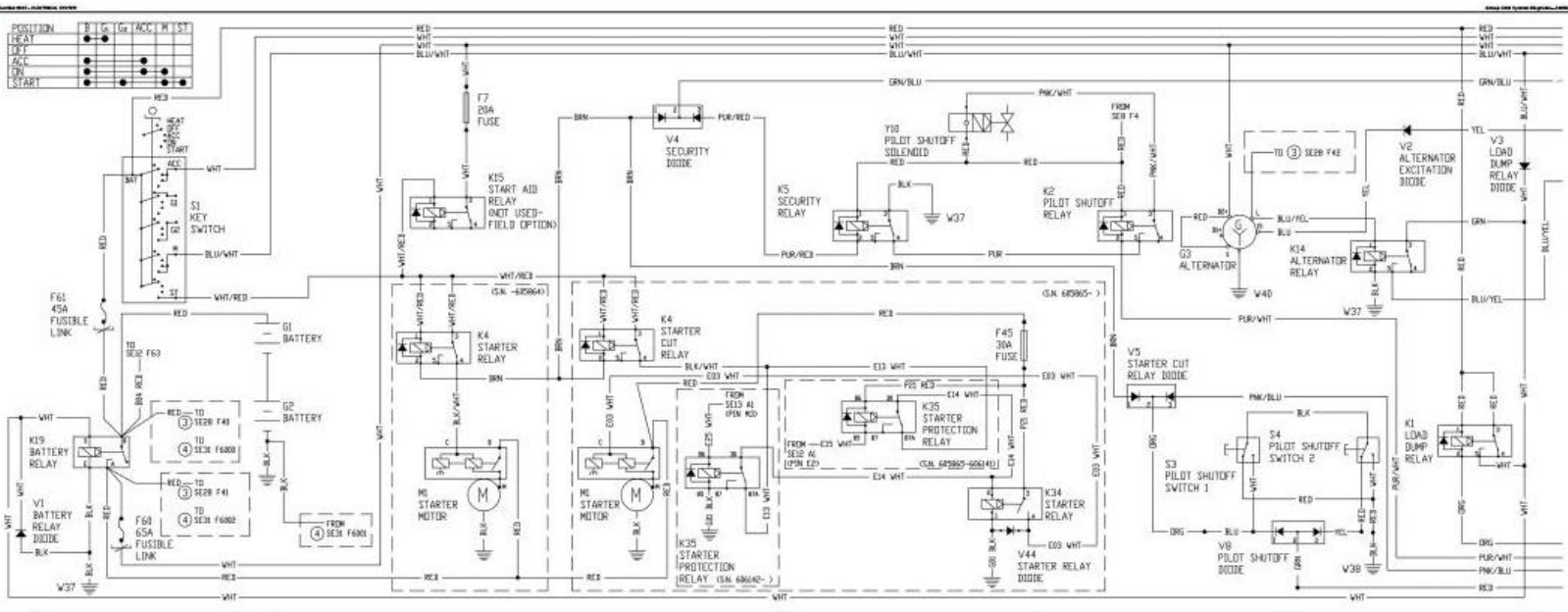
In this manual you will find detailed specifications, illustrations, schematics, diagrams and step-by-step procedures to properly service and diagnose the machine to the manufacturer's standards.

**Contents:**

- General Information
- Specifications
- Serial Number Location
- Engine Specifications
- Engine Diagnostics
- Engine Tests and Adjustments
- Engine Repair
- Power Train
- Transmission
- Axles
- Differential
- PTO
- Hydraulic System
- Electrical System
- Electrical Tests and Diagnostics
- Wiring Diagram / Schematic
- Ignition and Charging
- Steering
- Brakes
- Wheels
- Operator's Platform
- Body Panels
- Disassembly and Assembly
- Diagnostics, Tests and Adjustments
- Troubleshooting
- and much more...

Please note this manual is in **downloadable PDF format only**. If you have any questions about this product or would like to request sample pages, please contact us and reference the product name or SKU.

POSITION	B	G	ACC	M	ST
HEAT	●	●	●	●	●
DEF	●	●	●	●	●
ACC	●	●	●	●	●
EN	●	●	●	●	●
START	●	●	●	●	●



TX1146840 SE1 SE2 SE3 CONTINUE NEXT PAGE  
 240DC SYSTEM FUNCTIONAL SCHEMATIC (1 OF 10)

System Functional Schematics (SFS) 4-2022 (1 of 10)



Thank you very much  
for your reading.  
Please click here  
to get more information.