

John Deere C440R Round Hay and forage Wrapping Baler Service Repair Technical Manual (TM301119)

724K 4WD Loaders with
Engines 6090HDW13
Diagnostic





OPERATION AND TEST MANUAL

4WD Loaders models 724K (PIN: 1DW724KZE634315-658064)**


TM12109 16 FEB 16 (ENGLISH)

For complete service information also see:

724K 4WD Loader Repair	TM12111
JDLink (MTG) Technical Manual	TM114519
TM1V1200 - 1400 Series Inboard Planetary Axles	CTM442
120 Series Hydraulic Cylinders	CTM120519
185 Series Hydraulic Cylinders	CTM114919
120 Series Hydraulic Cylinders	
125 Series Hydraulic Cylinders	
6090 PowerTech Diesel Engine	
JDLink/ZXLink Machine Monitor	

PDF  **DOWNLOAD** 

John Deere Construction and Forestry
Printed by Belgreen



TM12109

Covers: C440R

Type: Service Manual

Language: English

Pages: 166

Format: PDF

Features: Bookmarked, searchable, printable

Compatibility: Windows/Mac/Tablet/Mobile

This service manual contains important information for the maintenance, troubleshooting and servicing of the **John Deere C440R Round Hay and forage Wrapping Baler Service Repair Technical Manual (TM301119)**

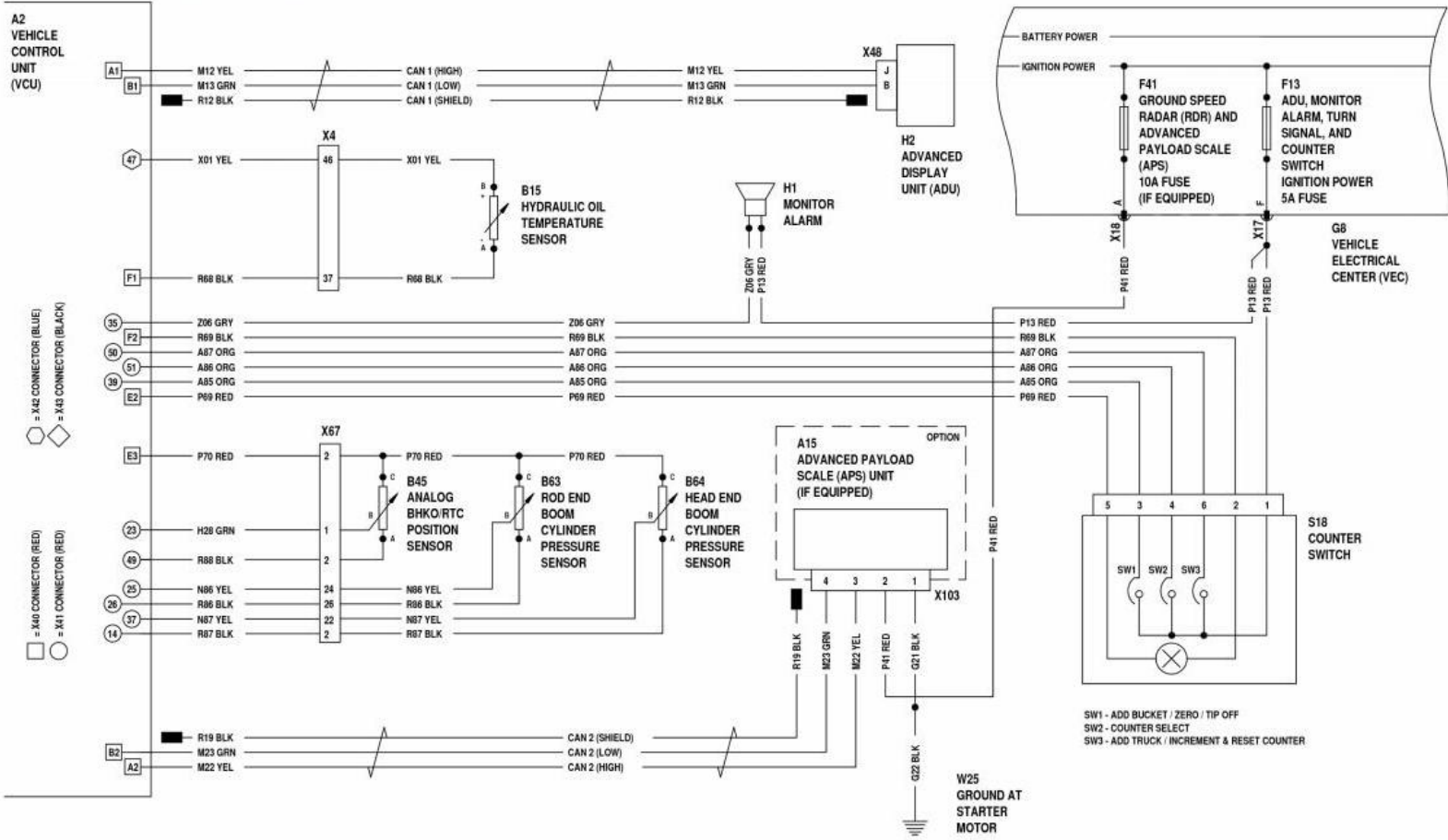
In this manual you will find detailed specifications, illustrations, schematics, diagrams and step-by-step procedures to properly service and diagnose the machine to the manufacturer's standards.

Contents:

- General Information
- Specifications
- Serial Number Location
- Engine Specifications
- Engine Diagnostics
- Engine Tests and Adjustments
- Engine Repair
- Power Train
- Transmission
- Axles
- Differential
- PTO
- Hydraulic System
- Electrical System
- Electrical Tests and Diagnostics
- Wiring Diagram / Schematic
- Ignition and Charging
- Steering
- Brakes
- Wheels
- Operator's Platform
- Body Panels
- Disassembly and Assembly
- Diagnostics, Tests and Adjustments
- Troubleshooting
- and much more...

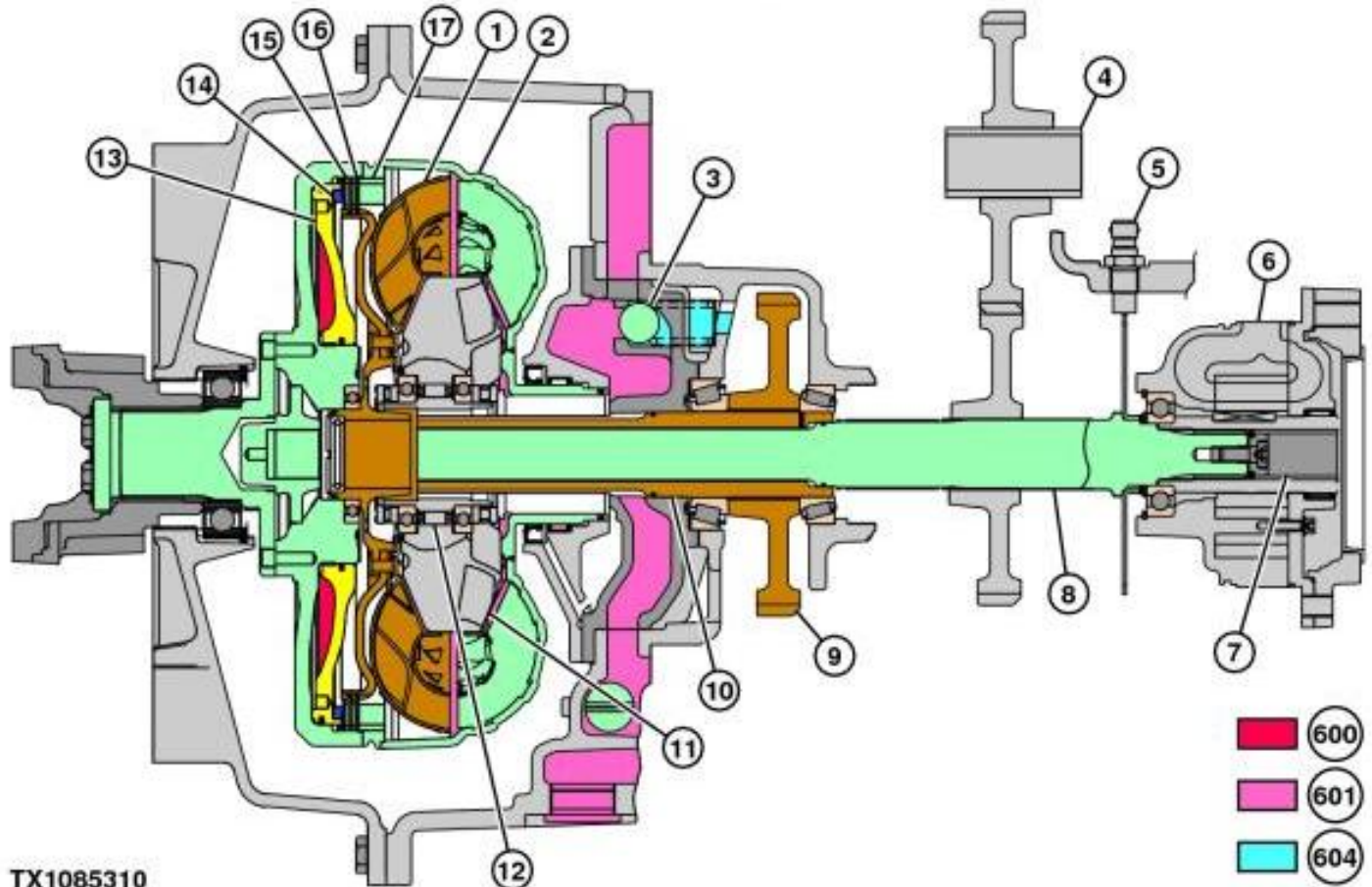
Please note this manual is in **downloadable PDF format only**. If you have any questions about this product or would like to request sample pages, please contact us and reference the product name or SKU.

Embedded Payload Scale (EPS) Circuit Theory of Operation—If Equipped



TX1103657
Embedded Payload Scale (EPS) Circuit Schematic

Torque Converter With Lockup Clutch Operation—If Equipped



TX1085310

Torque Converter with Lockup Clutch (Cross-Sectional View)

LEGEND:

1	Turbine
2	Impeller
3	Converter Relief Valve
4	PTO Drive
5	Engine Speed Sensor
6	Transmission Pump
7	PTO Drive 1
8	PTO Shaft
9	Drive Gear
10	Turbine Shaft
11	Stator
12	Free Wheel
13	Piston
14	Spring
15	Clutch Plate (2 used)
16	Separator Plate (2 used)
17	Backplate
600	Torque Converter Lockup Pressure
601	Converter Pressure (in)
604	Converter Return Pressure (out)

The torque converter is a single-stage, dual phase unit with lockup clutch that consists of the following components:

- Turbine (1)
- Impeller (2)
- Stator (11)
- Piston (13)
- Spring (14)
- Clutch Plate (15)
- Separator plate (16)
- Backplate (17)



Thank you very much
for your reading.
Please click here
to get more information.