

# John Deere China Tractors 350, 354, 4035B, 400, 404, 450, 454, 480, 484 Technical Service Manual TM701419

444K 4WD Loader (SN.  
from F670308) Repair



## REPAIR TECHNICAL MANUAL

4WD Loaders models 444K (PIN: 1DW444K\*\*\*F670308-)

TM13367X19 16 FEB 16 (ENGLISH)

**For complete service information also see:**

444K 4WD Loader (SN. from F670308) Diagnostic

TM13361X19

JDLINK (MTG) Technical Manual

TM114519

120 Series Hydraulic Cylinders

CTM120519

4045 PowerTech 4-Valve Diesel Engine (PWS, PWL)(Final Tier 4/Stage IV  
platform) Level 34 ECM

CTM120119



John Deere Construction and Forestry  
Printed by Belgroen



**Covers:** N4,S2);,350,354,400,404,450,454,480,484,4035B

**Type:** Service Manual

**Language:** English

**Pages:** 710

**Format:** PDF

**Features:** Bookmarked, searchable, printable

**Compatibility:** Windows/Mac/Tablet/Mobile

This service manual contains important information for the maintenance, troubleshooting and servicing of the **John Deere China Tractors 350, 354, 4035B, 400, 404, 450, 454, 480, 484 Technical Service Manual TM701419**

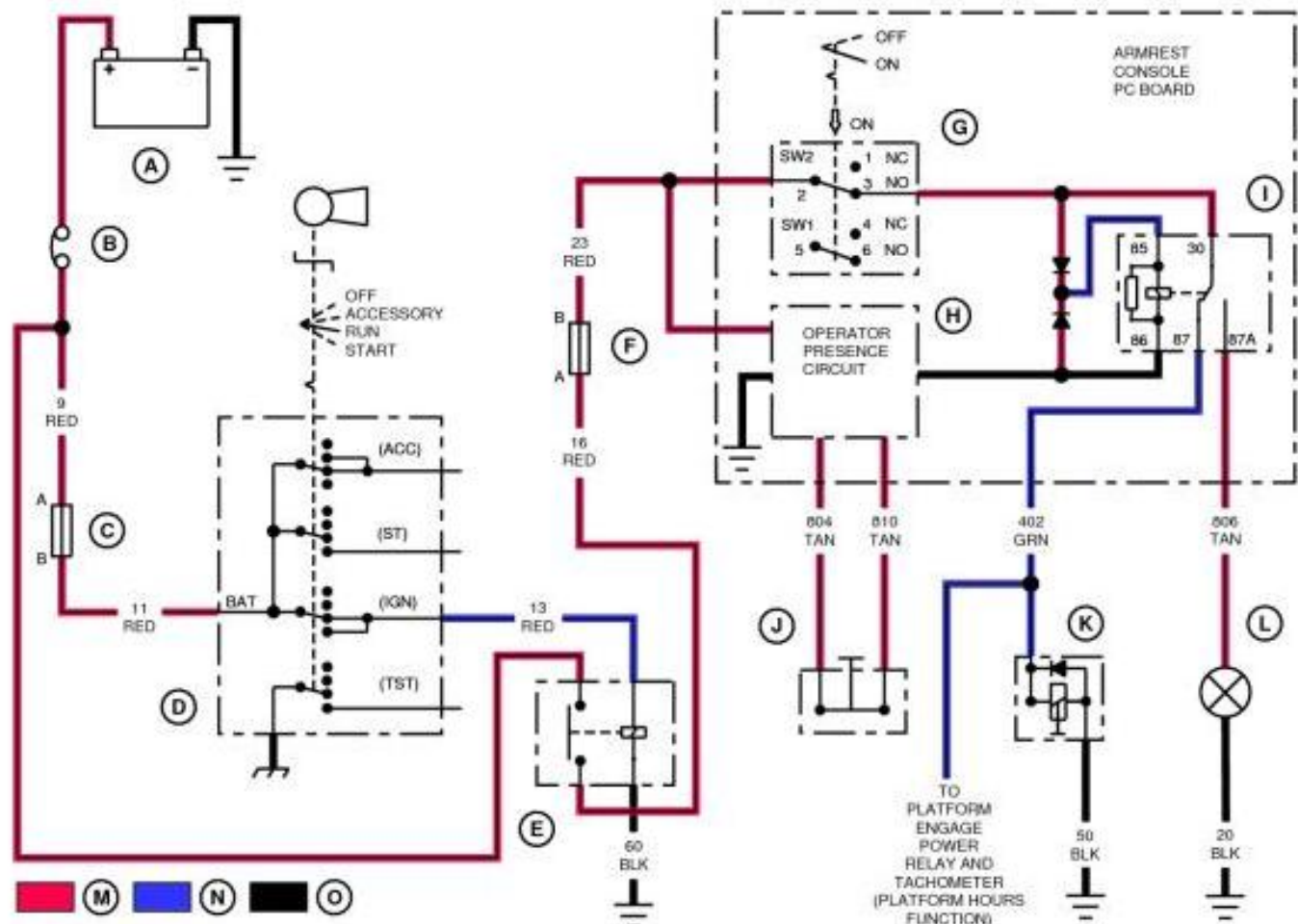
In this manual you will find detailed specifications, illustrations, schematics, diagrams and step-by-step procedures to properly service and diagnose the machine to the manufacturer's standards.

**Contents:**

- General Information
- Specifications
- Serial Number Location
- Engine Specifications
- Engine Diagnostics
- Engine Tests and Adjustments
- Engine Repair
- Power Train
- Transmission
- Axles
- Differential
- PTO
- Hydraulic System
- Electrical System
- Electrical Tests and Diagnostics
- Wiring Diagram / Schematic
- Ignition and Charging
- Steering
- Brakes
- Wheels
- Operator's Platform
- Body Panels
- Disassembly and Assembly
- Diagnostics, Tests and Adjustments
- Troubleshooting
- and much more...

Please note this manual is in **downloadable PDF format only**. If you have any questions about this product or would like to request sample pages, please contact us and reference the product name or SKU.

## Platform Drive Operation-Forward



### PLATFORM DRIVE OPERATION — FORWARD

#### Platform Drive Operation-Forward

##### LEGEND:

A	Battery
B	50-Amp Circuit Breaker (BKR1)
C	20-Amp Fuse (F9)
D	Key Switch
E	Control Power Relay
F	10-Amp Fuse (F4)
G	Platform Forward Switch
H	Operator Presence Circuit
I	Operator Presence Relay
J	Seat Switch
K	Platform Forward Solenoid
L	Operator Presence Lamp
M	Power Circuit
N	Energizing Circuit
O	Ground Circuit

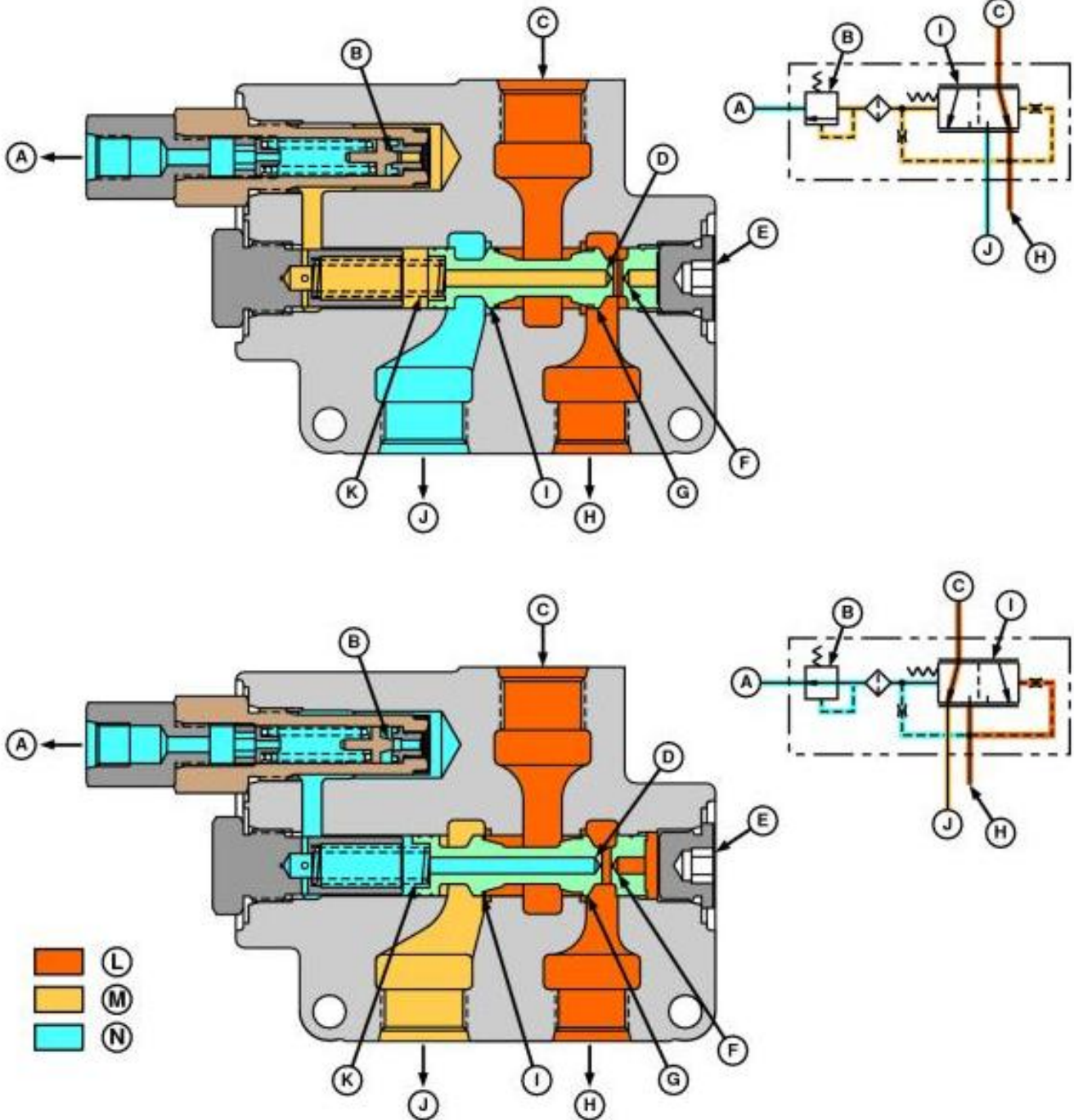
When key switch (D) is in the RUN position, current flows from battery (A) through circuit breaker (B) and 20-amp fuse (C) to key switch BATT terminal.

Current from the key switch IGN terminal energizes the coil of control power relay (E). With the coil energized, current flows across the main contacts of the control power relay and through 10-amp fuse (F) to platform forward switch (G) and operator presence circuit (H).

When the operator is in the seat, seat switch (J) is closed and the operator presence circuit closes the ground circuit for operator presence relay (I).

When platform forward switch (G) is in the ON position, the coil of the operator presence relay is energized. With the coil

# Priority Valve Operation



EXC42201

## Priority Valve Operation

### LEGEND:

- A To Reservoir
- B Relief Valve
- C Port "P"
- D Orifice
- E Plug
- F Orifice
- G Spool
- H Port "CF"
- I Shoulder
- J Port "EF"
- K Spring



Thank you very much  
for your reading.  
Please click here  
to get more information.