

John Deere Tractors 6810, 6910, and 6910S Service Repair Technical Manual (TM4566)

6100B and 6110B Tractors

REPAIR MANUAL

China models 6100B, 6110B

TM700019 15JUN09 (ENGLISH)

For complete service information also see:

Alternators and Starting Motors	CTM77
PowerTech 4.5L and 6.8L Diesel Engines Mechanical Fuel Systems	CTM207
PowerTech 4.5L & 6.8L Diesel Engines Tier 1/Stage I, Tier 2/Stage II, Tier 3/Stage IIIA, Tier 3/Stage IIA Tier 3/Stage III, (Base Engine)	CTM104



John Deere Agriculture

Covers: 6810,6910,6910S

Type: Service Manual

Language: English

Pages: 1860

Format: PDF

Features: Bookmarked, searchable, printable

Compatibility: Windows/Mac/Tablet/Mobile

This service manual contains important information for the maintenance, troubleshooting and servicing of the **John Deere Tractors 6810, 6910, and 6910S Service Repair Technical Manual (TM4566)**

In this manual you will find detailed specifications, illustrations, schematics, diagrams and step-by-step procedures to properly service and diagnose the machine to the manufacturer's standards.

Contents:

- General Information
- Specifications
- Serial Number Location
- Engine Specifications
- Engine Diagnostics
- Engine Tests and Adjustments
- Engine Repair
- Power Train
- Transmission
- Axles
- Differential
- PTO
- Hydraulic System
- Electrical System
- Electrical Tests and Diagnostics
- Wiring Diagram / Schematic
- Ignition and Charging
- Steering
- Brakes
- Wheels
- Operator's Platform
- Body Panels
- Disassembly and Assembly
- Diagnostics, Tests and Adjustments
- Troubleshooting
- and much more...

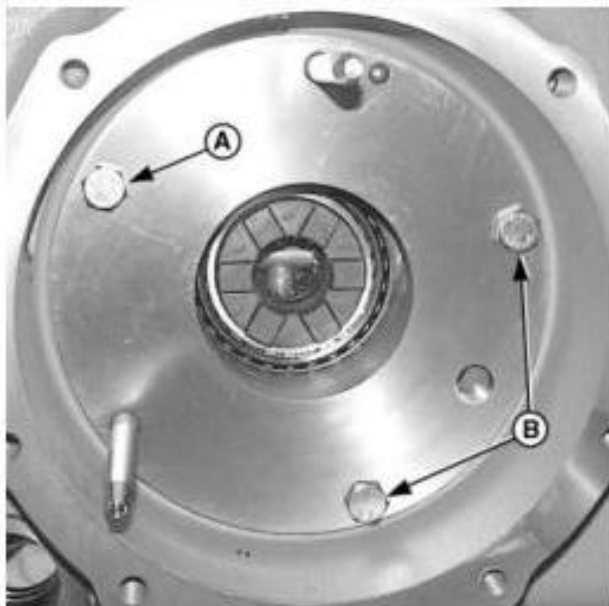
Please note this manual is in **downloadable PDF format only**. If you have any questions about this product or would like to request sample pages, please contact us and reference the product name or SKU.



g.

Install Shims In Quill

Install shims calculated in step 15b and install right-hand quill.



h.

LEGEND:

- A Cap Screw
- B Cap Screw (2 used)

Apply T43512 Thread Lock and Sealer (Medium Strength) to one cap screw (A) and install into right-hand quill in line with brake linkage.

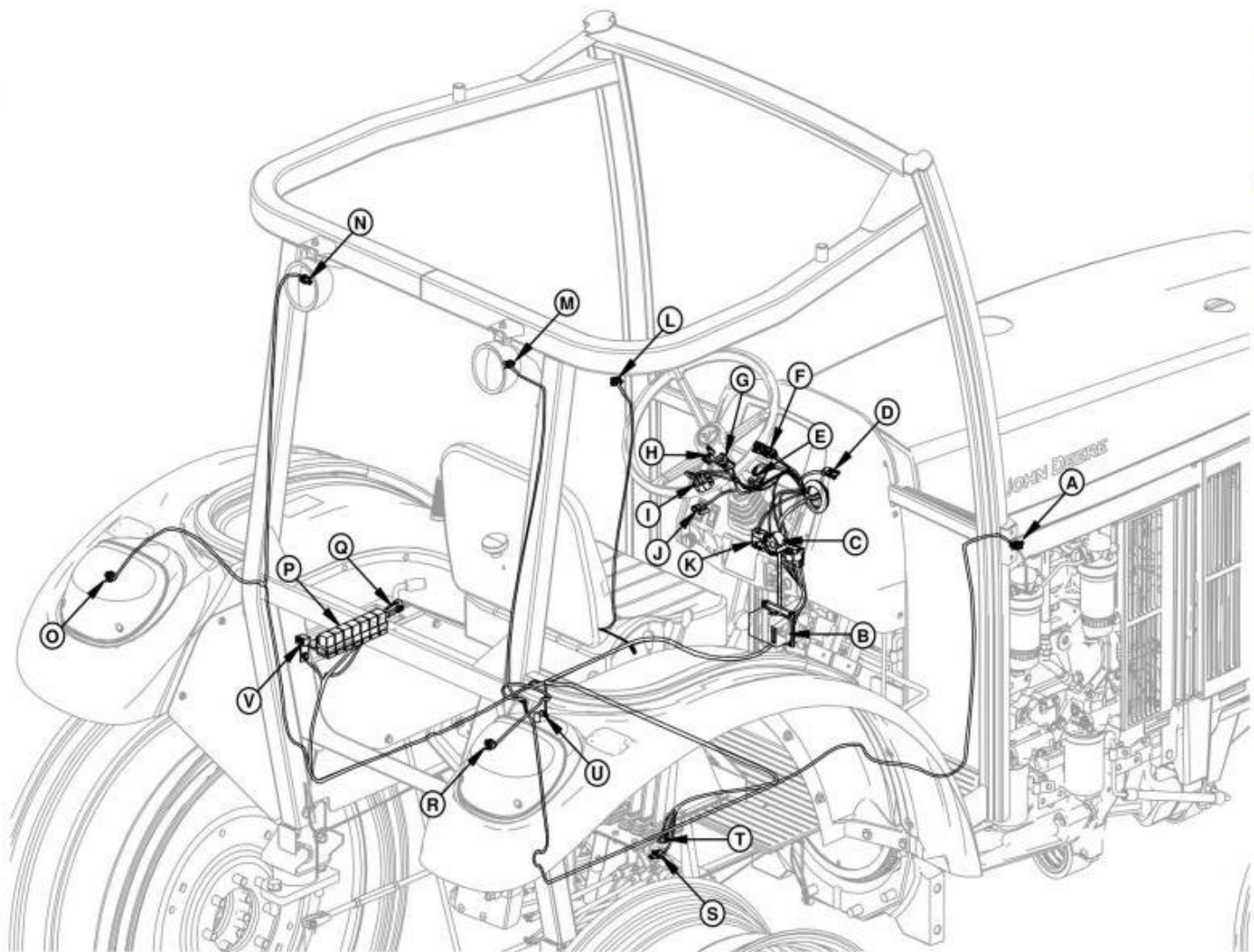
Number	Name	Use
<ul style="list-style-type: none"> • T43512 (us) • TY9473 (canadian) • 242 Loctite™ (loctite) 	Thread Lock and Sealer (Medium Strength)	To seal cap screws.

i. Install two temporary cap screws (B) on either side of brake reaction pin.

IMPORTANT:

Do not tighten cap screws until shims are installed on both right- and left-hand quills.

Rear Wiring Harness





Thank you very much
for your reading.
Please click here
to get more information.