

# John Deere X700, X740, X748 Ultimate Select Series Tractors (Export Edition) Technical Manual (tm2351)

X700, X740, X748 Ultimate  
Select Series TractorS  
(Export Edition) Diagnostic  
and Repair



## TECHNICAL MANUAL

Select Series Ultimate L and G models X700, X740, X748

TM2351 13 NOV 08 (ENGLISH)



John Deere Commercial and Consumer Equipment Lawn and Garden  
Printed by Belgreen



**Covers:** X700,X740,X748

**Type:** Service Manual

**Language:** English

**Pages:** 847

**Format:** PDF

**Features:** Bookmarked, searchable, printable

**Compatibility:** Windows/Mac/Tablet/Mobile

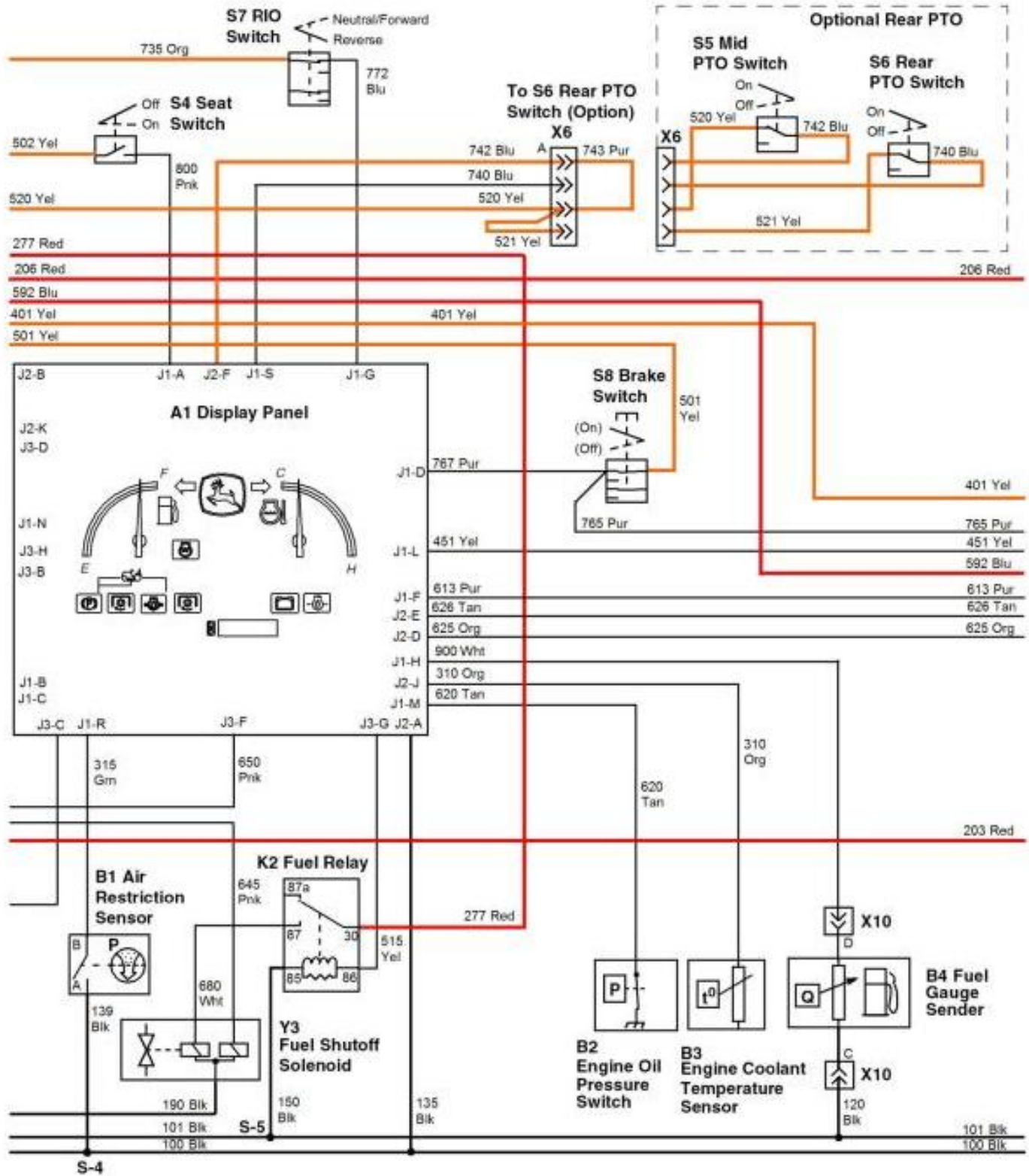
This service manual contains important information for the maintenance, troubleshooting and servicing of the **John Deere X700, X740, X748 Ultimate Select Series Tractors (Export Edition) Technical Manual (tm2351)**

In this manual you will find detailed specifications, illustrations, schematics, diagrams and step-by-step procedures to properly service and diagnose the machine to the manufacturer's standards.

**Contents:**

- General Information
- Specifications
- Serial Number Location
- Engine Specifications
- Engine Diagnostics
- Engine Tests and Adjustments
- Engine Repair
- Power Train
- Transmission
- Axles
- Differential
- PTO
- Hydraulic System
- Electrical System
- Electrical Tests and Diagnostics
- Wiring Diagram / Schematic
- Ignition and Charging
- Steering
- Brakes
- Wheels
- Operator's Platform
- Body Panels
- Disassembly and Assembly
- Diagnostics, Tests and Adjustments
- Troubleshooting
- and much more...

Please note this manual is in **downloadable PDF format only**. If you have any questions about this product or would like to request sample pages, please contact us and reference the product name or SKU.

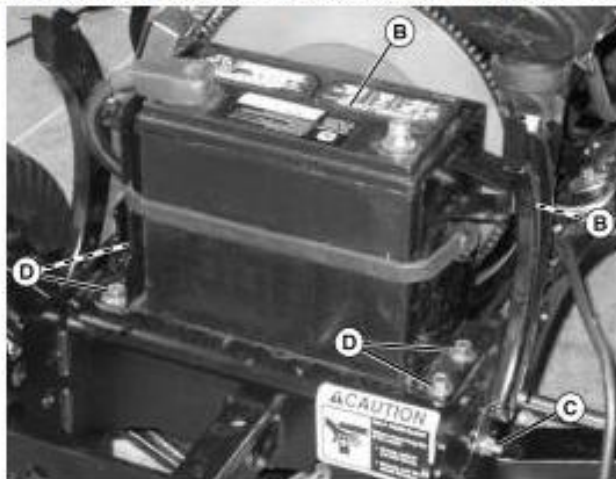


**Electrical Schematic - Diesels (3 of 4)**

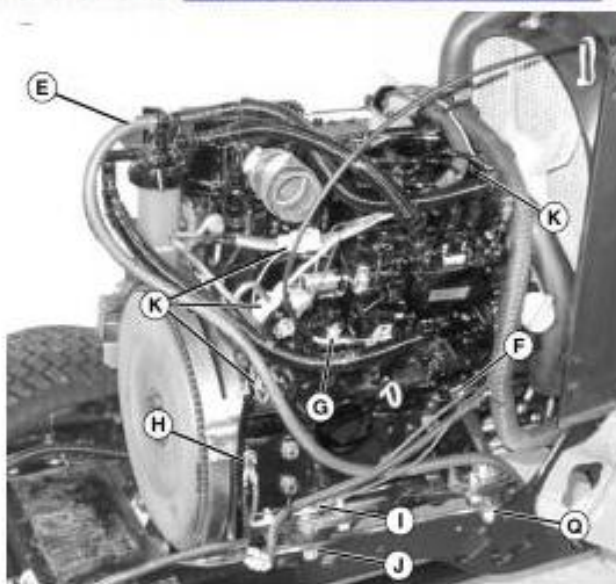
## Engine Removal and Installation

### Engine Removal:

1. Park machine safely. See "Parking Safely" in the Safety section.
2. Allow engine to cool.
3. Disconnect headlight connector and remove hood.
4. Remove radiator pressure cap and drain coolant into a clean container.
5. Disconnect and remove upper and lower radiator hoses.
6. Disconnect air filter restriction indicator wiring lead and remove air cleaner.



7. Disconnect and remove battery (A).
8. Remove cap screw (B) that fasten hood brackets to battery shield, and nut (C) holding hood brackets to machine frame and remove hood brackets.
9. Remove cap screw (D) holding battery shield to machine frame and remove battery shield.
10. Remove muffler. [See Muffler Removal and Installation](#).



11. **Left side view**

- Disconnect and plug the fuel return line (E) and the fuel supply line (F).
12. Loosen the throttle cable retaining clamp (G) and disconnect throttle cable.
13. Disconnect the engine ground strap (H) and the main wiring harness ground wire bundle (I) by removing the left front engine mount bolt (J), washer and nut.
14. Disconnect the electrical connections (K) on the left side of the engine to the fuel shutoff solenoid, glow plugs, oil pressure switch, and coolant temperature safety switch.



Thank you very much  
for your reading.  
Please click here  
to get more information.