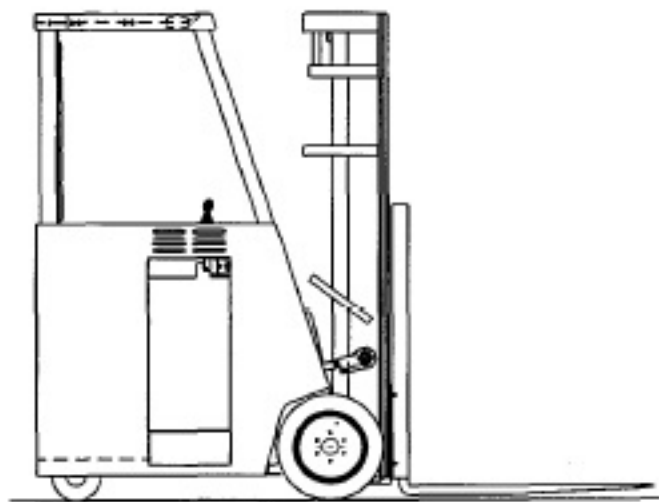


SERVICE MANUAL

SM-596
ESM-II 12 thru 25



CLARK

