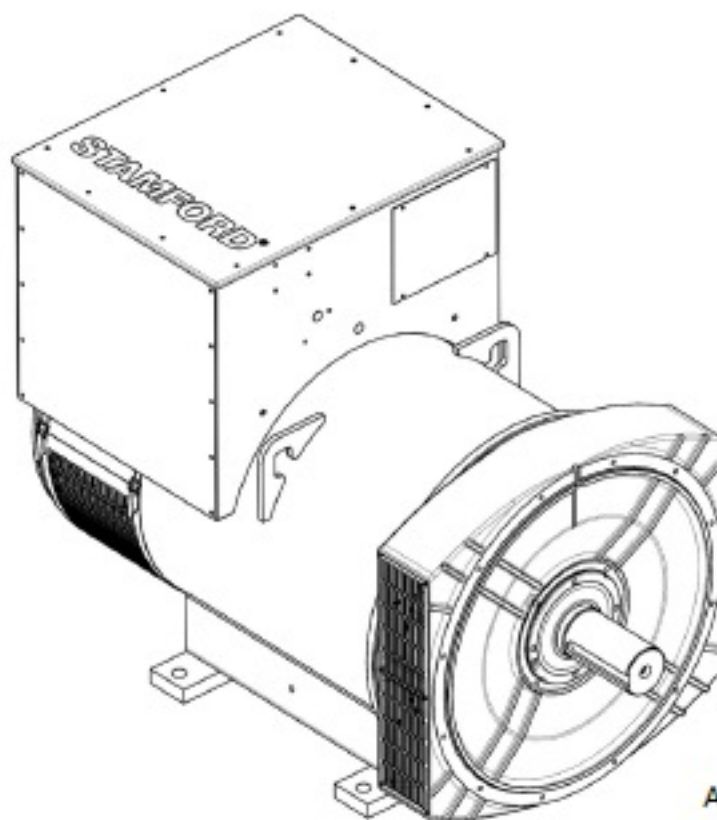


HC Alternators

INSTALLATION, SERVICE AND
MAINTENANCE MANUAL

STAMFORD®



A054P401 (Issue 1)

