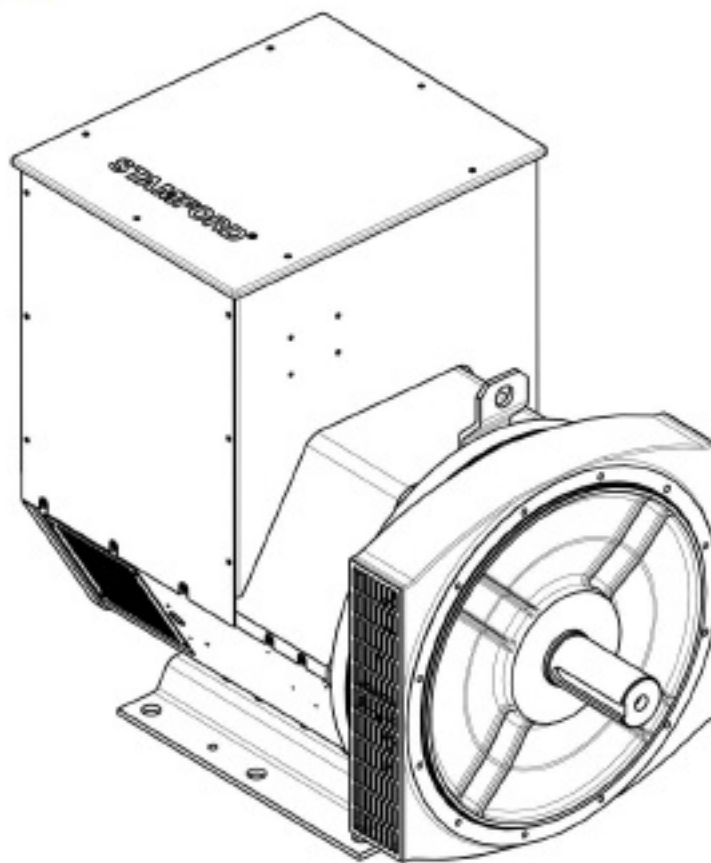


UC Alternators
INSTALLATION, SERVICE AND
MAINTENANCE MANUAL

STAMFORD®



A054P400 (Issue 1

